

2019

STENNER PUMP COMPANY CATALOG

STENNER PUMP ADVANTAGES

- ▶ Self-priming
- ▶ Can inject off-gassing solutions
- ▶ Easy tube replacement without tools
- ▶ 3 point roller assists anti-siphoning
- ▶ Output reproducibility
- ▶ Output volume not affected by back pressure
- ▶ Solid one piece tube construction
- ▶ Tube lubrication not required
- ▶ No vapor lock or loss of prime
- ▶ Foot valve not required to prime

CONTENTS

PUMPS	2-37
TANK SYSTEMS	43
METER SYSTEMS	14, 17, 20, 23, 46
ACCESSORIES	
Flow Switch.....	38
Water Meters.....	39-41
Tanks	42
PCM	44-45
PARTS	
Pump Tubes.....	48-49
Pump Heads & Parts.....	50-55
Check Valves, Injection Parts.....	56
Miscellaneous Parts.....	57
Motors & Parts.....	58-60
Feed Rate Control & Parts	61
Water Meter Parts.....	62
INDEX	63
CHEMICAL GUIDE	64-65
POLICIES	66



Quick Facts

CLASSIC 45

- Single head, adjustable or fixed output
- 0.2 to 22.0 gpd, pressures to 100 psi maximum
- 0.2 to 50.0 gpd, pressures to 25 psi maximum
- 26 rpm

CLASSIC 85

- Single head, adjustable or fixed output
- 0.3 to 40.0 gpd, pressures to 100 psi maximum
- 0.3 to 85.0 gpd, pressures to 25 psi maximum
- 44 rpm

CLASSIC 100

- Double head, adjustable or fixed output
- 0.3 to 20.0 gpd, pressures to 100 psi maximum
- 0.3 to 100.0 gpd, pressures to 25 psi maximum
- 26 rpm

CLASSIC 170

- Double head, adjustable or fixed output
- 0.5 to 34.0 gpd, pressures to 100 psi maximum
- 0.5 to 170.0 gpd, pressures to 25 psi maximum
- 44 rpm

Features

- Advantages of Stenner peristaltic pumps on page 1
- Fast tube replacement without tools with patent pending QuickPro® pump head
- Adjustable models:
 - External adjustable dial ring on feed rate control
 - 20:1 turndown, 2.5% increments
- Single head models:
 - Available as Tank Systems: 7.5, 15, 30 gallon
 - Fixed output pump can be utilized for proportional dosing, refer to pages 46-47
- Components are interchangeable between models
- Tank System ships pre-assembled for quick installations

Versatile and Time-Tested

For over 60 years, the versatile peristaltic Classic Series remains a popular choice with installers. The pump is easy to service or convert to another model. Injection can be directly into the water line and activated by a pressure switch or controller.

Weights and Dimensions

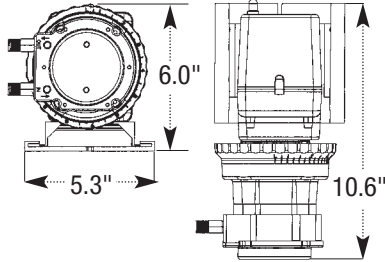
Single Head Adjustable

Shipping Weight 9 lbs (3.9 kg)

Box Dimensions

13 x 8 x 10 in. (33 x 20 x 24 cm)

Product Dimensions



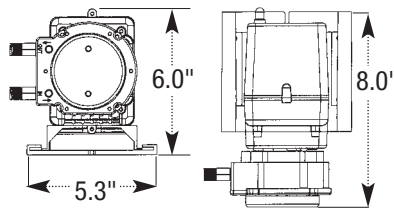
Single Head Fixed

Shipping Weight 8 lbs (3.4 kg)

Box Dimensions

13 x 8 x 10 in. (33 x 20 x 24 cm)

Product Dimensions



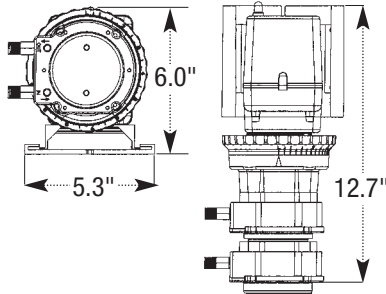
Double Head Adjustable

Shipping Weight 10 lbs (4.5 kg)

Box Dimensions

18 x 8 x 10 in. (46 x 21 x 25 cm)

Product Dimensions



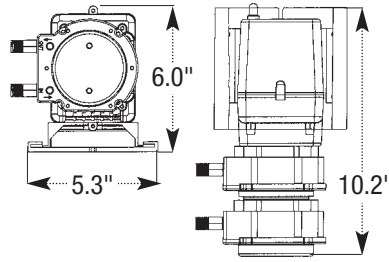
Double Head Fixed

Shipping Weight 10 lbs (4.1 kg)

Box Dimensions

18 x 8 x 10 in. (46 x 21 x 25 cm)

Product Dimensions



Accessories Shipped with Each Pump

- 3 Connecting nuts 1/4" or 3/8"
- 3 Ferrules 1/4" or 6 mm *Europe*
- 1 Injection check valve 100 psi (6.9 bar) maximum or injection fitting 25 psi (1.7 bar) maximum
- 1 Weighted suction line strainer 1/4", 3/8" or 6 mm *Europe*
- 1 20' Roll suction/discharge tubing 1/4" or 3/8", white or UV black or 6 mm white *Europe*
- 1 Additional pump tube
- 2 Additional latches
- 1 Mounting bracket
- 1 Manual

Specifications

Flow Rate Output Control

Adjustable model: External dial ring

Reproducibility $\pm 2\%$

Maximum Working Pressure

25 psi (1.7 bar), 100 psi (6.9 bar)

Maximum Operating Temperature 125°F (52°C)

Maximum Suction Lift

25 ft (7.6 m) vertical lift, based on water

Motor Type 1/30 HP, shaded pole, class B

Shaft rpm (average maximum) 26 or 44

Duty Cycle Continuous

Maximum Viscosity 1500 Centipoise

Motor Voltage (Amp Draw)

120V 60Hz 1PH (1.7), 220V 60Hz 1PH (0.9),
230V 50Hz 1PH (0.9), 250V 50Hz 1PH (0.9)

Power Cord Type

120V 60Hz, 220V 60Hz: SJTOW
230V 50Hz, 250V 50Hz: H05VV-F

Power Cord Plug End

120V 60Hz NEMA 5-15P, 220V 60Hz NEMA 6-15P,
230V 50Hz CEE7/7, 250V 50Hz CEE7/7

Power Cord Length 6 ft (1.8 m)

Classification Indoor and suitable for Outdoor when installed with a Stenner Rain Roof part # MP90000

Materials of Construction

All Housings Polycarbonate

Pump Tube Santoprene®, FDA approved or Versilon®

Check Valve Duckbill

Santoprene®, FDA approved or Pellethane®

Pump Head Rollers Polyethylene

Roller Bushings Oil impregnated bronze

Suction/Discharge Tubing, Ferrules 1/4" & 6 mm
Polyethylene, FDA approved

Tube Fittings, Check Valve Fittings

PVC or Polypropylene, NSF listed

Connecting Nuts PVC or Polypropylene, NSF listed

3/8" Adapter PVC or Polypropylene, NSF listed

Suction Line Strainer and Cap

PVC or Polypropylene, NSF listed with Ceramic Weight

All Fasteners Stainless steel

Pump Head Latches Polypropylene

NOTE: Refer to the chemical guide for material compatibility.

Agency Listings

- Models (Santoprene® only) tested by Water Quality Association to conform to ANSI/NSF STD 61 & 372
- Adjustable models (Santoprene® only) tested by ETL to conform to ANSI/NSF STD 50
- Fixed output models (Santoprene® only) tested by ETL to conform to ANSI/NSF STD 50 only when used with ANSI/NSF STD 50 listed controllers



Listings vary by model.

USA and Canada 800.683.2378, International 904.641.1666 **3**

CLASSIC SERIES

Single Head Adjustable 25 psi (1.7 bar) maximum Flow Rate Outputs Approximate 20:1 turndown, 2.5% increments

Item Number Prefix	Pump Tube	Gallons per Day	Gallons per Hour	Ounces per Minute	Liters per Day	Liters per Hour	Milliliters per Minute	Liters per Day	Liters per Hour	Milliliters per Minute
45MJL1	1	0.2 to 3.0	0.01 to 0.13	0.02 to 0.27	0.8 to 11.4	0.03 to 0.48	0.56 to 7.92	0.6 to 9.1	0.02 to 0.38	0.31 to 6.32
45MJL2	2	0.5 to 10.0	0.02 to 0.42	0.04 to 0.89	1.9 to 37.9	0.08 to 1.58	1.32 to 26.32	1.5 to 30.3	0.06 to 1.26	1.04 to 21.04
45MJL3	3	1.1 to 22.0	0.05 to 0.92	0.10 to 1.96	4.2 to 83.3	0.18 to 3.47	2.92 to 57.85	3.3 to 66.6	0.14 to 2.78	2.29 to 46.25
45MJL4	4	1.7 to 35.0	0.07 to 1.46	0.15 to 3.11	6.4 to 132.5	0.27 to 5.52	4.44 to 92.01	5.1 to 106.0	0.21 to 4.42	3.54 to 73.61
45MJL5	5	2.5 to 50.0	0.10 to 2.08	0.22 to 4.44	9.5 to 189.3	0.40 to 7.89	6.60 to 131.43	7.6 to 151.4	0.32 to 6.31	5.28 to 105.14
85MJL1	1	0.3 to 5.0	0.01 to 0.21	0.03 to 0.44	1.1 to 18.9	0.05 to 0.79	0.76 to 13.13	0.9 to 15.1	0.04 to 0.63	0.52 to 10.49
85MJL2	2	0.8 to 17.0	0.03 to 0.71	0.07 to 1.51	3.0 to 64.4	0.13 to 2.68	2.08 to 44.65	2.4 to 51.5	0.10 to 2.15	1.67 to 35.76
85MJL3	3	2.0 to 40.0	0.08 to 1.67	0.18 to 3.55	7.6 to 151.4	0.32 to 6.31	5.27 to 105.14	6.1 to 121.1	0.25 to 5.05	4.24 to 84.10
85MJL4	4	3.0 to 60.0	0.13 to 2.5	0.27 to 5.33	11.4 to 227.1	0.48 to 9.46	7.92 to 157.71	9.1 to 181.7	0.38 to 7.57	6.32 to 126.18
85MJL5	5	4.3 to 85.0	0.18 to 3.54	0.38 to 7.55	16.3 to 321.8	0.68 to 13.4	11.32 to 223.40	13.0 to 257.4	0.54 to 10.73	9.03 to 178.75
Approximate Output @ 60Hz							Approximate Output @ 50Hz			

Single Head Adjustable 100 psi (6.9 bar) maximum Flow Rate Outputs Approximate 20:1 turndown, 2.5% increments

Item Number Prefix	Pump Tube	Gallons per Day	Gallons per Hour	Ounces per Minute	Liters per Day	Liters per Hour	Milliliters per Minute	Liters per Day	Liters per Hour	Milliliters per Minute
45MJH1	1	0.2 to 3.0	0.01 to 0.13	0.02 to 0.27	0.8 to 11.4	0.03 to 0.48	0.56 to 7.92	0.6 to 9.1	0.02 to 0.38	0.31 to 6.32
45MJH2	2	0.5 to 10.0	0.02 to 0.42	0.04 to 0.89	1.9 to 37.9	0.08 to 1.58	1.32 to 26.32	1.5 to 30.3	0.06 to 1.26	1.04 to 21.04
45MJH7	7	1.1 to 22.0	0.05 to 0.92	0.10 to 1.96	4.2 to 83.3	0.18 to 3.47	2.92 to 57.85	3.3 to 66.6	0.14 to 2.78	2.29 to 46.25
85MJH1	1	0.3 to 5.0	0.01 to 0.21	0.03 to 0.44	1.1 to 18.9	0.05 to 0.79	0.76 to 13.13	0.9 to 15.1	0.04 to 0.63	0.52 to 10.49
85MJH2	2	0.8 to 17.0	0.03 to 0.71	0.07 to 1.51	3.0 to 64.4	0.13 to 2.68	2.08 to 44.65	2.4 to 51.5	0.10 to 2.15	1.67 to 35.76
85MJH7	7	2.0 to 40.0	0.08 to 1.67	0.18 to 3.55	7.6 to 151.4	0.32 to 6.31	5.27 to 105.14	6.1 to 121.1	0.25 to 5.05	4.24 to 84.10
Approximate Output @ 60Hz							Approximate Output @ 50Hz			



To Order, Build Pump Item Number

Insert item number prefix and code for each specification.

code	Voltage & Hertz
A	120V 60Hz
B	220V 60Hz
C	230V 50Hz <i>International</i>
D	250V 50Hz <i>International</i>

Contact the factory for additional voltage and plug options.

code	Suction & Discharge Tubing
1	1/4" White
2	1/4" UV Black
3	3/8" White
4	3/8" UV Black
5	6 mm White <i>Europe</i>

O.D. does not affect output.

code	Tube Material
S	Santoprene®
T	Versilon® (#7 not available)

Refer to the chemical guide for material compatibility.

OPTIONAL

To order Tank System, insert code before pump item number.

code	Tank System
S7G	7.5-Gallon UV Gray
S7N	7.5-Gallon White
S1G	15-Gallon UV Gray
S1N	15-Gallon White
S3G	30-Gallon UV Gray
S3N	30-Gallon White

NOTE: Injection check valve included with pumps rated 100 psi (6.9 bar) maximum.

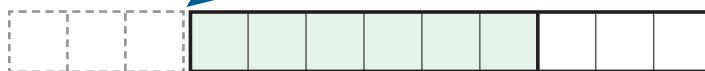
NOTICE: The information within these charts is solely intended for use as a guide. The output data is an approximation based on pumping water under a controlled testing environment. Many variables can affect the output of the pump. Stenner Pump Company recommends that all metering pumps undergo field calibration by means of analytical testing to confirm their outputs. To reduce feed rate control wear, select the pump with a maximum flow rate output that most closely matches your application's maximum need.

Single Head Fixed 25 psi (1.7 bar) maximum Flow Rate Outputs

Item Number Prefix	Pump Tube	Gallons per Day	Gallons per Hour	Ounces per Minute	Liters per Day	Liters per Hour	Milliliters per Minute	Liters per Day	Liters per Hour	Milliliters per Minute	
45MFL1	1	3.0	0.13	0.27	11.4	0.48	7.92	9.1	0.38	6.32	
45MFL2	2	10.0	0.42	0.89	37.9	1.58	26.32	30.3	1.26	21.04	
45MFL3	3	22.0	0.92	1.96	83.3	3.47	57.85	66.6	2.78	46.25	
45MFL4	4	35.0	1.46	3.11	132.5	5.52	92.01	106.0	4.42	73.61	
45MFL5	5	50.0	2.08	4.44	189.3	7.89	131.43	151.4	6.31	105.14	
85MFL1	1	5.0	0.21	0.44	18.9	0.79	13.13	15.1	0.63	10.49	
85MFL2	2	17.0	0.71	1.51	64.4	2.68	44.65	51.5	2.15	35.76	
85MFL3	3	40.0	1.67	3.55	151.4	6.31	105.14	121.1	5.05	84.10	
85MFL4	4	60.0	2.50	5.33	227.1	9.46	157.71	181.7	7.57	126.18	
85MFL5	5	85.0	3.54	7.55	321.8	13.40	223.40	257.4	10.73	178.75	
Approximate Output @ 60Hz							Approximate Output @ 50Hz				

Single Head Fixed 100 psi (6.9 bar) maximum Flow Rate Outputs

Item Number Prefix	Pump Tube	Gallons per Day	Gallons per Hour	Ounces per Minute	Liters per Day	Liters per Hour	Milliliters per Minute	Liters per Day	Liters per Hour	Milliliters per Minute	
45MFH1	1	3.0	0.13	0.27	11.4	0.48	7.92	9.1	0.38	6.32	
45MFH2	2	10.0	0.42	0.89	37.9	1.58	26.32	30.3	1.26	21.04	
45MFH7	7	22.0	0.92	1.96	83.3	3.47	57.85	66.6	2.78	46.25	
85MFH1	1	5.0	0.21	0.44	18.9	0.79	13.13	15.1	0.63	10.49	
85MFH2	2	17.0	0.71	1.51	64.4	2.68	44.65	51.5	2.15	35.76	
85MFH7	7	40.0	1.67	3.55	151.4	6.31	105.14	121.1	5.05	84.10	
Approximate Output @ 60Hz							Approximate Output @ 50Hz				



To Order, Build Pump Item Number

Insert item number prefix and code for each specification.

code	Voltage & Hertz
A	120V 60Hz
B	220V 60Hz
C	230V 50Hz <i>International</i>
D	250V 50Hz <i>International</i>

Contact the factory for additional voltage and plug options.

code	Suction & Discharge Tubing
1	1/4" White
2	1/4" UV Black
3	3/8" White
4	3/8" UV Black
5	6 mm White <i>Europe</i>

O.D. does not affect output.

code	Tube Material
S	Santoprene®
T	Versilon® (#7 not available)

Refer to the chemical guide for material compatibility.

OPTIONAL

To order Tank System, insert code before pump item number.

code	Tank System
S7G	7.5-Gallon UV Gray
S7N	7.5-Gallon White
S1G	15-Gallon UV Gray
S1N	15-Gallon White
S3G	30-Gallon UV Gray
S3N	30-Gallon White

NOTE: Injection check valve included with pumps rated 100 psi (6.9 bar) maximum.

! NOTICE: The information within these charts is solely intended for use as a guide. The output data is an approximation based on pumping water under a controlled testing environment. Many variables can affect the output of the pump. Stenner Pump Company recommends that all metering pumps undergo field calibration by means of analytical testing to confirm their outputs.

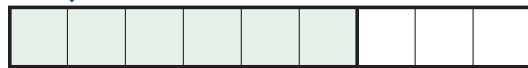
CLASSIC SERIES

Double Head Adjustable 25 psi (1.7 bar) maximum Flow Rate Outputs Approximate 20:1 turndown, 2.5% increments

Item Number Prefix	Pump Tube	Gallons per Day	Gallons per Hour	Ounces per Minute	Liters per Day	Liters per Hour	Milliliters per Minute	Liters per Day	Liters per Hour	Milliliters per Minute
100JL1	1	0.3 to 6.0	0.01 to 0.25	0.03 to 0.53	1.1 to 22.7	0.05 to 0.95	0.76 to 15.76	0.9 to 18.2	0.04 to 0.76	0.61 to 12.64
100JL2	2	1.0 to 20.0	0.04 to 0.83	0.09 to 1.78	3.8 to 75.7	0.16 to 3.15	2.64 to 52.57	3.0 to 60.6	0.13 to 2.53	2.11 to 42.06
100JL3	3	2.2 to 44.0	0.09 to 1.83	0.19 to 3.91	8.3 to 166.5	0.35 to 6.94	5.76 to 115.63	6.6 to 133.2	0.28 to 5.55	4.58 to 92.50
100JL4	4	3.5 to 70.0	0.15 to 2.92	0.31 to 6.22	13.2 to 265.0	0.55 to 11.04	9.17 to 184.03	10.6 to 212.0	0.44 to 8.83	7.36 to 147.22
100JL5	5	5.0 to 100.0	0.21 to 4.17	0.44 to 8.88	18.9 to 378.5	0.79 to 15.77	13.13 to 262.88	15.1 to 302.8	0.63 to 12.61	10.49 to 210.28
170JL1	1	0.5 to 10.0	0.02 to 0.42	0.04 to 0.89	1.9 to 37.9	0.08 to 1.58	1.32 to 26.32	1.5 to 30.3	0.06 to 1.26	1.04 to 21.04
170JL2	2	1.7 to 34.0	0.07 to 1.42	0.15 to 3.02	6.4 to 128.7	0.27 to 5.36	4.44 to 89.38	5.1 to 102.6	0.21 to 4.29	3.54 to 71.55
170JL3	3	4.0 to 80.0	0.17 to 3.33	0.35 to 7.11	15.1 to 302.8	0.63 to 12.62	10.49 to 210.28	12.1 to 242.2	0.50 to 10.09	8.40 to 168.22
170JL4	4	6.0 to 120.0	0.25 to 5.00	0.53 to 10.66	22.7 to 454.2	0.95 to 18.93	15.76 to 315.42	18.2 to 363.4	0.76 to 15.14	12.64 to 252.36
170JL5	5	8.5 to 170.0	0.35 to 7.08	0.76 to 15.10	32.2 to 643.5	1.34 to 26.80	22.36 to 446.88	25.7 to 514.8	1.07 to 21.45	17.92 to 357.50
Approximate Output @ 60Hz							Approximate Output @ 50Hz			

Double Head Adjustable 100 psi (6.9 bar) maximum Flow Rate Outputs Approximate 20:1 turndown, 2.5% increments

Item Number Prefix	Pump Tube	Gallons per Day	Gallons per Hour	Ounces per Minute	Liters per Day	Liters per Hour	Milliliters per Minute	Liters per Day	Liters per Hour	Milliliters per Minute
100JH1	1	0.3 to 6.0	0.01 to 0.25	0.03 to 0.53	1.1 to 22.7	0.05 to 0.95	0.76 to 15.76	0.9 to 18.2	0.04 to 0.76	0.61 to 12.64
100JH2	2	1.0 to 20.0	0.04 to 0.83	0.09 to 1.78	3.8 to 75.7	0.16 to 3.15	2.64 to 52.57	3.0 to 60.6	0.13 to 2.53	2.11 to 42.06
170JH1	1	0.5 to 10.0	0.02 to 0.42	0.04 to 0.89	1.9 to 37.9	0.08 to 1.58	1.32 to 26.32	1.5 to 30.3	0.06 to 1.26	1.04 to 21.04
170JH2	2	1.7 to 34.0	0.07 to 1.42	0.15 to 3.02	6.4 to 128.7	0.27 to 5.36	4.44 to 89.38	5.1 to 102.6	0.21 to 4.29	3.54 to 71.55
Approximate Output @ 60Hz							Approximate Output @ 50Hz			



To Order, Build Pump Item Number

Insert item number prefix and code for each specification.

code	Voltage & Hertz
A	120V 60Hz
B	220V 60Hz
C	230V 50Hz <i>International</i>
D	250V 50Hz <i>International</i>

Contact the factory for additional voltage and plug options.

code	Suction & Discharge Tubing
1	1/4" White
2	1/4" UV Black
3	3/8" White
4	3/8" UV Black
5	6 mm White <i>Europe</i>

O.D does not affect output.

code	Tube Material
S	Santoprene®
T	Versilon® (#7 not available)

Refer to the chemical guide for material compatibility.

NOTE: Injection check valve included with pumps rated 100 psi (6.9 bar) maximum.

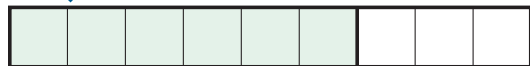
NOTICE: The information within these charts is solely intended for use as a guide. The output data is an approximation based on pumping water under a controlled testing environment. Many variables can affect the output of the pump. Stenner Pump Company recommends that all metering pumps undergo field calibration by means of analytical testing to confirm their outputs. To reduce feed rate control wear, select the pump with a maximum flow rate output that most closely matches your application's maximum need.

Double Head Fixed 25 psi (1.7 bar) maximum Flow Rate Outputs

Item Number Prefix	Pump Tube	Gallons per Day	Gallons per Hour	Ounces per Minute	Liters per Day	Liters per Hour	Milliliters per Minute	Liters per Day	Liters per Hour	Milliliters per Minute	
100FL1	1	6.0	0.25	0.53	22.7	0.95	15.76	18.2	0.76	12.64	
100FL2	2	20.0	0.83	1.78	75.7	3.15	52.57	60.6	2.53	42.06	
100FL3	3	44.0	1.83	3.91	166.5	6.94	115.63	133.2	5.55	92.50	
100FL4	4	70.0	2.92	6.22	265.0	11.04	184.03	212.0	8.83	147.22	
100FL5	5	100.0	4.17	8.88	378.5	15.77	262.88	302.8	12.61	210.28	
170FL1	1	10.0	0.42	0.89	37.9	1.58	26.32	30.3	1.26	21.04	
170FL2	2	34.0	1.42	3.02	128.7	5.36	89.38	102.6	4.29	71.55	
170FL3	3	80.0	3.33	7.11	302.8	12.62	210.28	242.2	10.09	168.22	
170FL4	4	120.0	5.00	10.66	454.2	18.93	315.42	363.4	15.14	252.36	
170FL5	5	170.0	7.08	15.10	643.6	26.80	446.88	514.8	21.45	357.50	
Approximate Output @ 60Hz							Approximate Output @ 50Hz				

Double Head Fixed 100 psi (6.9 bar) maximum Flow Rate Outputs

Item Number Prefix	Pump Tube	Gallons per Day	Gallons per Hour	Ounces per Minute	Liters per Day	Liters per Hour	Milliliters per Minute	Liters per Day	Liters per Hour	Milliliters per Minute	
100FH1	1	6.0	0.25	0.53	22.7	0.95	15.76	18.2	0.76	12.64	
100FH2	2	20.0	0.83	1.78	75.7	3.15	52.57	60.6	2.53	42.06	
170FH1	1	10.0	0.42	0.89	37.9	1.58	26.32	30.3	1.26	21.04	
170FH2	2	34.0	1.42	3.02	128.7	5.36	89.38	102.6	4.29	71.55	
Approximate Output @ 60Hz							Approximate Output @ 50Hz				



To Order, Build Pump Item Number

Insert item number prefix and code for each specification.

code	Voltage & Hertz
A	120V 60Hz
B	220V 60Hz
C	230V 50Hz <i>International</i>
D	250V 50Hz <i>International</i>

Contact the factory for additional voltage and plug options.

code	Suction & Discharge Tubing
1	1/4" White
2	1/4" UV Black
3	3/8" White
4	3/8" UV Black
5	6 mm White <i>Europe</i>

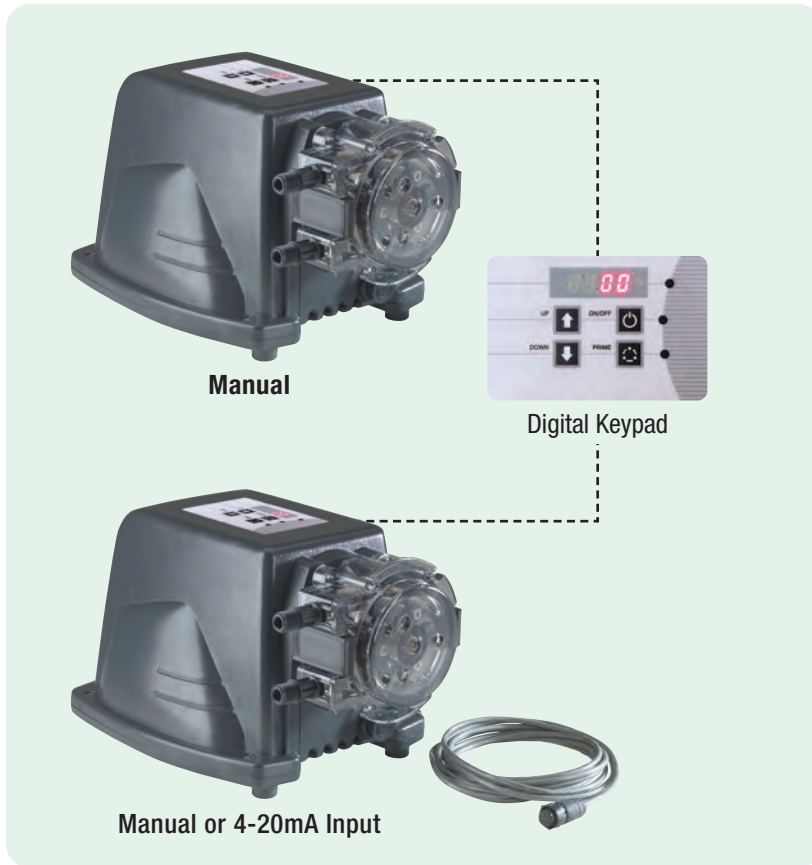
O.D does not affect output.

code	Tube Material
S	Santoprene®
T	Versilon® (#7 not available)

Refer to the chemical guide for material compatibility.

NOTE: Injection check valve included with pumps rated 100 psi (6.9 bar) maximum.

NOTICE: The information within these charts is solely intended for use as a guide. The output data is an approximation based on pumping water under a controlled testing environment. Many variables can affect the output of the pump. Stenner Pump Company recommends that all metering pumps undergo field calibration by means of analytical testing to confirm their outputs.



Manual or 4-20mA Input

The SVP is categorized with two different pump prefixes, SVP1 and SVP4. The SVP1 is manually adjusted using the keypad. The SVP4 is designed to respond directly to a 4-20mA input signal from water treatment controls. The SVP4 is equipped with an external port to accept the signal or it can be set to a manual mode and adjusted with the arrows on the keypad.

Quick Facts

- 0.3 to 40.0 gpd, pressures to 100 psi maximum
- 0.3 to 85.0 gpd, pressures to 25 psi maximum
- Digital keypad with LED display
- 20:1 turndown, 1% increments, non-scalable

SVP1

- Manual output control

SVP4

- Automatic output control via 4-20mA signal or manually adjusted

Well-Suited for Industrial Applications

The SVP series is an adjustable, variable speed, peristaltic metering pump suitable for industrial applications, municipal and wastewater treatment plants. The pump can accept a 4-20mA signal from a water treatment control such as a pH or ORP monitor to pace the pump to maintain proper water chemistry and treat effluent discharge water. The output is adjusted by increasing or decreasing the motor speed.

Features

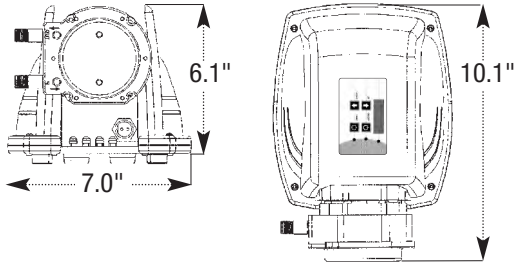
- Advantages of Stenner peristaltic pumps on page 1
- Fast tube replacement without tools with patent pending QuickPro® pump head
- DC motor
- Motor and pump head detachable without tools
- Rugged polycarbonate housing
- Heavy duty gear motor
- 4 button keypad: prime, on/off, up & down arrows

Weights and Dimensions

Shipping Weight 10 lbs (4.5 kg)

Box Dimensions 14 x 9 x 10 in. (36 x 23 x 24 cm)

Product Dimensions



Accessories Shipped with Each Pump

- 3 Connecting nuts 1/4" or 3/8"
- 3 Ferrules 1/4" or 6 mm *Europe*
- 1 Injection check valve 100 psi (6.9 bar) maximum or injection fitting 25 psi (1.7 bar) maximum
- 1 Weighted suction line strainer 1/4", 3/8" or 6 mm *Europe*
- 1 20' Roll suction/discharge tubing 1/4" or 3/8" white or 6 mm white *Europe*
- 1 Additional pump tube
- 2 Additional latches
- 1 Manual

Specifications

Flow Rate Output Control Manual or 4-20mA Input

Reproducibility $\pm 2\%$

Maximum Working Pressure

25 psi (1.7 bar), 100 psi (6.9 bar)

Maximum Operating Temperature 125°F (52°C)

Maximum Suction Lift

25 ft (7.6 m) vertical lift, based on water

Motor Type 12VDC gear motor

Shaft rpm (average maximum) 47

Duty Cycle Continuous

Maximum Viscosity 1500 Centipoise

Motor Voltage (Amp Draw)

120V 50/60Hz 1PH (1.5), 220V 50/60Hz 1PH (1.5),

12VDC (4.2), 230V 50/60Hz 1PH (1.5),

250V 50/60Hz 1PH (1.5)

Power Cord Type

120V 60Hz, 220V 60Hz: SJTOW

230V 50Hz, 250V 50Hz: H05VV-F

12VDC: VW-1

Power Cord Plug End

120V 60Hz NEMA 5-15P, 220V 60Hz NEMA 6-15P,

230V 50Hz CEE7/7, 250V 50Hz CEE7/7

12VDC Pigtail connection

Power Cord Length 6 ft (1.8 m)

Classification Indoor

Materials of Construction

All Housings Polycarbonate

Pump Tube Santoprene®, FDA approved or Versilon®

Check Valve Duckbill

Santoprene®, FDA approved or Pellethane®

Pump Head Rollers Polyethylene

Roller Bushings Oil impregnated bronze

Suction/Discharge Tubing, Ferrules 1/4" & 6 mm

Polyethylene, FDA approved

Tube Fittings, Check Valve Fittings

PVC or Polypropylene, NSF listed

Connecting Nuts PVC or Polypropylene, NSF listed

3/8" Adapter PVC or Polypropylene, NSF listed

Suction Line Strainer and Cap

PVC or Polypropylene, NSF listed, with Ceramic Weight

All Fasteners Stainless steel

Pump Head Latches Polypropylene

NOTE: Refer to the chemical guide for material compatibility.

Agency Listings

Models (Santoprene® only) tested by Water Quality Association to conform to ANSI/NSF STD 61 & 372.



NOTE: Listings vary by model. 12VDC pumps do not carry any agency listings.

SVP SERIES

SVP 25 psi (1.7 bar) maximum Flow Rate Outputs

Item Number Prefix	Control	Pump Tube	Gallons per Day	Gallons per Hour	Ounces per Minute	Liters per Day	Liters per Hour	Milliliters per Minute
SVP1L1	Manual	1	0.3 to 5.0	0.01 to 0.21	0.03 to 0.44	1.1 to 18.9	0.05 to 0.79	0.76 to 13.13
SVP1L2	Manual	2	0.8 to 17.0	0.03 to 0.71	0.07 to 1.51	3.0 to 64.4	0.13 to 2.68	2.08 to 44.65
SVP1L3	Manual	3	2.0 to 40.0	0.08 to 1.67	0.18 to 3.55	7.6 to 151.4	0.32 to 6.31	5.27 to 105.14
SVP1L4	Manual	4	3.0 to 60.0	0.13 to 2.50	0.27 to 5.33	11.4 to 227.1	0.48 to 9.46	7.92 to 157.71
SVP1L5	Manual	5	4.3 to 85.0	0.18 to 3.54	0.38 to 7.55	16.3 to 321.8	0.68 to 13.40	11.32 to 223.40
SVP4L1	4-20mA Input*	1	0.3 to 5.0	0.01 to 0.21	0.03 to 0.44	1.1 to 18.9	0.05 to 0.79	0.76 to 13.13
SVP4L2	4-20mA Input*	2	0.8 to 17.0	0.03 to 0.71	0.07 to 1.51	3.0 to 64.4	0.13 to 2.68	2.08 to 44.65
SVP4L3	4-20mA Input*	3	2.0 to 40.0	0.08 to 1.67	0.18 to 3.55	7.6 to 151.4	0.32 to 6.31	5.27 to 105.14
SVP4L4	4-20mA Input*	4	3.0 to 60.0	0.13 to 2.50	0.27 to 5.33	11.4 to 227.1	0.48 to 9.46	7.92 to 157.71
SVP4L5	4-20mA Input*	5	4.3 to 85.0	0.18 to 3.54	0.38 to 7.55	16.3 to 321.8	0.68 to 13.40	11.32 to 223.40

Approximate Output @ 50/60Hz

SVP 100 psi (6.9 bar) maximum Flow Rate Outputs

Item Number Prefix	Control	Pump Tube	Gallons per Day	Gallons per Hour	Ounces per Minute	Liters per Day	Liters per Hour	Milliliters per Minute
SVP1H1	Manual	1	0.3 to 5.0	0.01 to 0.21	0.03 to 0.44	1.1 to 18.9	0.05 to 0.79	0.76 to 13.13
SVP1H2	Manual	2	0.8 to 17.0	0.03 to 0.71	0.07 to 1.51	3.0 to 64.4	0.13 to 2.68	2.08 to 44.65
SVP1H7	Manual	7	2.0 to 40.0	0.08 to 1.67	0.18 to 3.55	7.6 to 151.4	0.32 to 6.31	5.27 to 105.14
SVP4H1	4-20mA Input*	1	0.3 to 5.0	0.01 to 0.21	0.03 to 0.44	1.1 to 18.9	0.05 to 0.79	0.76 to 13.13
SVP4H2	4-20mA Input*	2	0.8 to 17.0	0.03 to 0.71	0.07 to 1.51	3.0 to 64.4	0.13 to 2.68	2.08 to 44.65
SVP4H7	4-20mA Input*	7	2.0 to 40.0	0.08 to 1.67	0.18 to 3.55	7.6 to 151.4	0.32 to 6.31	5.27 to 105.14

Approximate Output @ 50/60Hz



To Order, Build Pump Item Number

Insert item number prefix and code for each specification.

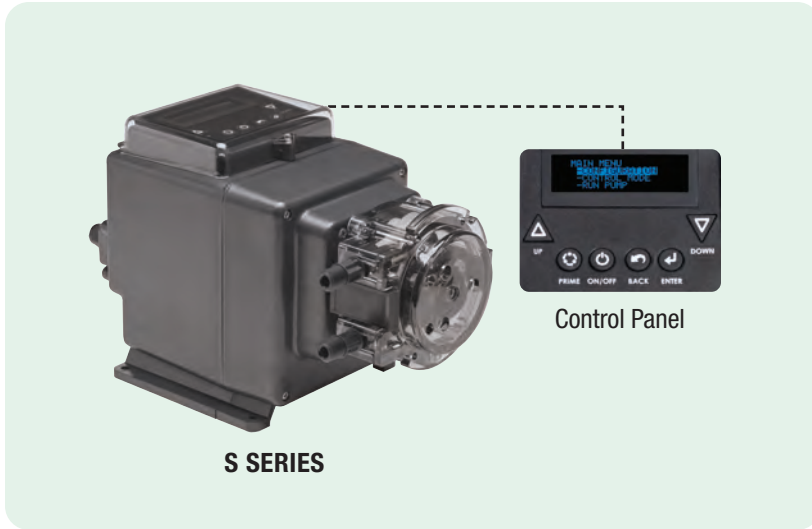
code	Voltage & Hertz	code	Suction & Discharge Tubing	code	Tube Material
A	120V 60Hz	1	1/4" White	S	Santoprene®
B	220V 60Hz	3	3/8" White	T	Versilon®
C	230V 50Hz <i>International</i>	5	6 mm White <i>Europe</i>		(#7 not available)
D	250V 50Hz <i>International</i>		0.D does not affect output.		Refer to the chemical guide for material compatibility.
V	12VDC (No agency listings)				

Contact the factory for additional voltage and plug options.

* Input Signal Voltage/Resistance maximum 48VDC/128 ohm.

NOTE: Injection check valve included with pumps rated 100 psi (6.9 bar) maximum.

NOTICE: The information within these charts is solely intended for use as a guide. The output data is an approximation based on pumping water under a controlled testing environment. Many variables can affect the output of the pump. Stenner Pump Company recommends that all metering pumps undergo field calibration by means of analytical testing to confirm their outputs.



S SERIES

Designed for Demanding Applications

The S Series is a peristaltic metering pump built to NEMA 4X for demanding applications. Select from multiple operational modes and performance indicators that can interface with process control systems utilizing a 4-20mA output signal and three relay outputs. Program the pump for your application with the control panel with OLED display.

S Series Functions

Performance Indicators	Programmable Communication		Modes of Operation
	Display Alarm on control panel	Three Output Relays to pump, system or device	
Tube Change	✓	✓	All Modes of Operation
Tube Leak	✓	✓	
Standby	✓	✓	
Drive Fault	✓	✓	
Off	✓	✓	
Run	—	✓	
Mode Change	—	✓	
Transfer	—	✓	
Repeat Pulse	—	✓	Manual, 4-20mA*, 0-10VDC*, Pulse, 7 Day Timer, Cycle Timer, PPM Feed: Constant Flow-Flow Switch
High Signal	✓	✓	4-20mA* or 0-10VDC*
Low Signal	✓	✓	4-20mA* or 0-10VDC*
High Flow	✓	✓	Hall Effect or PPM Feed: Variable Flow-Hall Effect
Low Flow	✓	✓	Hall Effect
Signal Overrun	✓	✓	Pulse

* Scalable, invertible

Quick Facts

- 0.05 to 40.0 gpd, pressures to 100 psi maximum
- 0.40 to 85.0 gpd, pressures to 25 psi maximum
- Digital keypad with OLED display
- Tube leak detector
- Tube life timer
- Password protection

Features

- Advantages of Stenner peristaltic pumps on page 1
- Fast tube replacement without tools with patent pending QuickPro® pump head
- Brushless DC motor with ball bearing support
- Switch mode power supply
- Totally enclosed housing
- NEMA 4X
- NSF 61 & 372
- cULus indoor/outdoor
- CE IP65

WATCH S Series Videos

www.stenner.com/resources/videos

Modes of Operation

- Manual
- 4-20mA (scalable & invertible)
- 0-10VDC (scalable & invertible)
- Pulse
- Hall Effect
- 7 Day Timer
- PPM Feed: Constant Flow-Flow Switch
- PPM Feed: Variable Flow-Hall Effect
- Cycle Timer

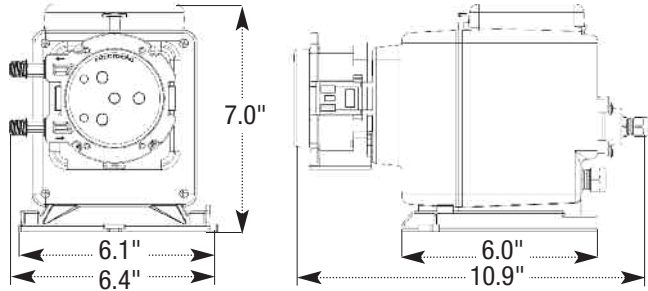
S SERIES

Weights and Dimensions

Shipping Weight 9 lbs (3.7 kg)

Box Dimensions 14 x 9 x 10 in. (35 x 23 x 24 cm)

Product Dimensions



Accessories Shipped with Each Pump

- 3 Connecting nuts 1/4" or 3/8"
- 3 Ferrules 1/4" or 6 mm *Europe*
- 1 Injection check valve 100 psi (6.9 bar) maximum or 1 injection fitting 25 psi (1.7 bar) maximum
- 1 Weighted suction line strainer 1/4", 3/8" or 6 mm *Europe*
- 1 20' Roll suction/discharge tubing 1/4" or 3/8", white or UV black or 6 mm white *Europe*
- 1 Additional pump tube
- 2 Additional latches
- 1 Mounting bracket
- 1 Quick Start Guide

Specifications

Flow Rate Output Control

Varies per control mode; digital keypad

Reproducibility ±2%

Maximum Working Pressure

25 psi (1.7 bar), 100 psi (6.9 bar)

Maximum Operating Temperature 104°F (40°C)

Maximum Altitude 6562 ft. (2000 m)

Maximum Suction Lift

25 ft (7.6 m) vertical lift, based on water

Motor Type Brushless DC motor

Shaft rpm (average maximum) 45

Duty Cycle Continuous

Maximum Viscosity 1500 Centipoise

Motor Voltage (Amp Draw)

120V 60Hz 1PH (0.6), 230V 50Hz 1PH (0.3)

Hall Effect Max. Input Frequency 100 KHz

Pulse Duration Required 10 milliseconds

Minimum duration required for pump to read signal.

Power Cord Type

120V 60Hz SJTOWA, 230V 50Hz H05RN-F

Power Cord Plug End

120V 60Hz 5-15P, 230V 50Hz CEE7/7

Power Cord Length 6 ft (1.8 m)

Classification Indoor/Outdoor

Materials of Construction

All Housings Polycarbonate

Pump Tube

Santoprene®, FDA approved, or Versilon®

Check Valve Duckbill

Santoprene®, FDA approved, or Pellethane®

Pump Head Rollers Polyethylene

Roller Bushings Oil impregnated bronze

Suction/Discharge Tubing, Ferrules 1/4" & 6 mm

Polyethylene, FDA approved

Tube Fittings, Injection Fittings

PVC or Polypropylene, NSF listed

Connecting Nuts PVC or Polypropylene, NSF listed

3/8" Adapter PVC or Polypropylene, NSF listed

Suction Line Strainer and Cap

PVC or Polypropylene, NSF listed, with Ceramic Weight

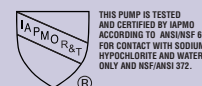
All Fasteners Stainless steel

Pump Head Latches Polypropylene

Leak Detect Clips, Springs, Pins Hastelloy®

NOTE: Refer to the chemical guide for material compatibility.

Agency Listings



Models (Santoprene® only) tested by IAPMO to conform to ANSI/NSF STD 61 & 372.

S Series 25 psi (1.7 bar) maximum Flow Rate Outputs

Item Number Prefix	Pump Tube	Turndown Ratio	Gallons per Day	Gallons per Hour	Ounces per Hour	Ounces per Minute	Liters per Day	Liters per Hour	Milliliters per Hour	Milliliters per Minute
S3003	3	100:1	0.40 to 40	0.017 to 1.67	2.13 to 213	0.036 to 3.56	1.51 to 151	0.063 to 6.31	63.09 to 6309	1.05 to 105
S3004	4	100:1	0.60 to 60	0.025 to 2.50	3.20 to 320	0.053 to 5.33	2.27 to 227	0.095 to 9.46	94.64 to 9464	1.58 to 158
S3005	5	100:1	0.85 to 85	0.035 to 3.54	4.53 to 453	0.076 to 7.56	3.22 to 322	0.134 to 13.41	134.07 to 13407	2.23 to 223

Approximate Output @ 50/60Hz

S Series 100 psi (6.9 bar) maximum Flow Rate Outputs

Item Number Prefix	Pump Tube	Turndown Ratio	Gallons per Day	Gallons per Hour	Ounces per Hour	Ounces per Minute	Liters per Day	Liters per Hour	Milliliters per Hour	Milliliters per Minute
S3001	1	100:1	0.05 to 5	0.002 to 0.21	0.27 to 27	0.004 to 0.44	0.19 to 19	0.008 to 0.79	7.89 to 789	0.13 to 13
S3002	2	100:1	0.17 to 17	0.007 to 0.71	0.91 to 91	0.015 to 1.51	0.64 to 64	0.027 to 2.68	26.81 to 2681	0.45 to 45
S3007	7	100:1	0.40 to 40	0.017 to 1.67	2.13 to 213	0.036 to 3.56	1.51 to 151	0.063 to 6.31	63.09 to 6309	1.05 to 105

Approximate Output @ 50/60Hz



To Order, Build Pump Item Number

Insert item number prefix and code for each specification.

code Voltage & Hertz
AA 120V 60Hz
DC 230V 50Hz *International*
 Contact the factory for additional voltage and plug options.

code Suction & Discharge Tubing
10 1/4" White
20 1/4" UV Black
30 3/8" White
40 3/8" UV Black
50 6 mm White *Europe*
 O.D does not affect output.

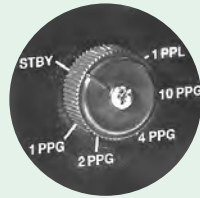
code Tube Material
1 Santoprene®
2 Versilon®
 (#7 not available)
 Refer to the chemical guide for material compatibility.

NOTE: Injection check valve included with pumps rated 100 psi (6.9 bar) maximum.

NOTICE: The information within these charts is solely intended for use as a guide. The output data is an approximation based on pumping water under a controlled testing environment. Many variables can affect the output of the pump. Stenner Pump Company recommends that all metering pumps undergo field calibration by means of analytical testing to confirm their outputs.



M128



Potentiometer



M128 Meter System



M128 Tank System

Quick Facts

- Potentiometer with adjustable pulse rate
1, 2, 4, 10 ppg (10 ppg in M07 model only) or 1 ppl
- Standby setting
- Internal relay

M05

- 8.4 oz/min, pressures to 25 psi maximum

M07

- 3.5 oz/min, pressures to 100 psi maximum

Activated by a Pulse Water Meter

The M128 peristaltic pump is actuated by a dry contact, pulse water meter to automatically inject solution proportional to the water flow at a rate of 1 ounce of solution to 128 ounces of process water. The pump accepts meter rates of 1, 2, 4 or 10 pulses per gallon or 1 pulse per liter. The meter rates are adjusted with the pump's potentiometer. The standby setting can stop the pump from injecting when it receives a signal. The internal relay allows the water meter to send a signal, even if the pump is in standby mode.

1:128 Injection for Livestock Water Treatment

The M128, also referred to as a medicator, doses solution at a 1:128 ratio to inject livestock water with sanitizers, disinfectants, nutrients and medication. Featuring an internal relay, the pump has a cable with four lead wires; two are connected to the water meter. For installations with a house controller, the two remaining wires are connected to the controller to register water consumption. If the pump is placed in standby, the internal relay allows the pulse meter to continue to register water consumption with the house controller.

M128 Meter System or Tank System

For convenient and quick installations or turnkey operations, the M128 Meter System is equipped with the pump and corresponding dry contact 3/4" or 1" water meter mounted on a heavy duty panel. The plastic water meter is certified with the Water Quality Association under ANSI/NSF 372 for low lead.

The Tank System is pre-assembled with the pump mounted to a 7.5, 15 or 30 gallon capacity tank. Select UV gray for outdoor installations or translucent white.

Features

- Advantages of Stenner peristaltic pumps on page 1
- Fast tube replacement without tools with patent pending QuickPro® pump head
- A water bypass is not needed and there is no water restriction or pressure loss
- No need for back pressure valves and filters upstream to pull out grit, sand and debris
- Solution is not in contact with moving parts

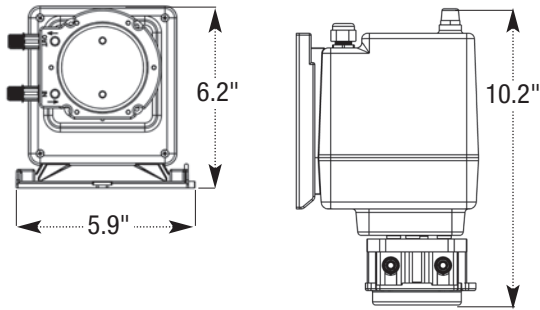
Weights and Dimensions

M128 Pump

Shipping Weight 10 lbs (4.5 kg)

Box Dimensions 14 x 9 x 10 in. (35 x 23 x 24 cm)

Product Dimensions



M128 Meter System

Shipping Weight 21 lbs (9.5 kg)

Box Dimensions 24 x 23 x 12 in. (61 x 58 x 30 cm)

Accessories Shipped with Each Pump

- 3 Connecting nuts 1/4"
- 3 Ferrules 1/4"
- 1 Injection check valve 80 psi (5.5 bar) maximum
or 1 injection fitting 25 psi (1.7 bar) maximum
- 1 Weighted suction line strainer 1/4"
- 1 20' Roll suction/discharge tubing 1/4" white
- 1 Additional pump tube
- 2 Additional latches
- 1 Mounting bracket
- 1 Manual

Specifications

Flow Rate Output Control

Fixed output, interfaces with water meter

Reproducibility ± 2

Maximum Working Pressure

25 psi (1.7 bar), 100 psi (6.9 bar)

Maximum Operating Temperature 104°F (40°C)

Maximum Suction Lift

25 ft (7.6 m) vertical lift, based on water

Motor Type 24VDC, 2.0 A, Brushed DC, 1/30 HP

Shaft rpm (average maximum) 55

Duty Cycle Continuous

Maximum Viscosity 100 Centipoise

Motor Voltage (Amp Draw)

120V 60Hz 1PH (0.5), 220V 60Hz 1PH (0.33)

Power Cord Type

120V 60Hz, 220V 60Hz: SJTOW

Power Cord Plug End

120V 60Hz NEMA 5-15P, 220V 60Hz NEMA 6-15P

Power Cord Length 6 ft (1.8 m)

Classification Indoor/Outdoor

Materials of Construction

All Housings Polycarbonate

Pump Tube & Check Valve Duckbill

Santoprene®, FDA approved

Pump Head Rollers Polyethylene

Roller Bushings Oil impregnated bronze

Suction/Discharge Tubing, Ferrules 1/4"

Polyethylene, FDA approved

Tube Fittings, Check Valve Fittings

PVC or Polypropylene, NSF listed

Connecting Nuts PVC or Polypropylene, NSF listed

Suction Line Strainer and Cap

PVC or Polypropylene, NSF listed, with Ceramic Weight

All Fasteners Stainless steel

Pump Head Latches Polypropylene

NOTE: Refer to the chemical guide for material compatibility.

Agency Listings



M128 SERIES

M128 25 psi (1.7 bar) maximum Flow Rate Outputs

Item Number Prefix	Pump Tube	Ounces per Minute	Milliliters per Minute
M05	5	8.4	249.7

Approximate Maximum Output @ 50/60Hz

Maximum system water flow for 1:128 dosing is 8.4 gal/min. or 31.8 L/min.

M128 100 psi (6.9 bar) maximum Flow Rate Outputs

Item Number Prefix	Pump Tube	Ounces per Minute	Milliliters per Minute
M07	7	3.5	105.0

Approximate Maximum Output @ 50/60Hz

Maximum system water flow for 1:128 dosing is 3.5 gal/min. or 13.2 L/min.

To Order, Build Pump Item Number

Insert item number prefix and code for voltage.

--	--	--	--

code	Voltage & Hertz
1	120V 60Hz
2	220V 60Hz

M128 M07 Sizing with 1 pulse/gallon water meter

Dosage	Dosage Ratio	Maximum System Water Flow	Pulse Setting
1.0 oz/gal	1:128	3.5 gal/min	1
0.5 oz/gal	1:256	7.0 gal/min	2
0.25 oz/gal	1:512	14.0 gal/min	4

NOTE: 1 oz = 29.57 ml, 1 gal = 3.78 L Contact factory for assistance with sizing.

OPTIONAL

To order **Meter System**, insert code after pump item number.

--	--	--	--	--	--

code	Meter System
341P	3/4" 1 pulse/gallon
342P	3/4" 2 pulses/gallon
344P	3/4" 4 pulses/gallon
011P	1" 1 pulse/gallon
012P	1" 2 pulses/gallon
014P	1" 4 pulses/gallon

To order **Tank System**, insert code after pump item number.

--	--	--	--	--	--

code	Tank System
7G	7.5-Gallon UV Gray
7N	7.5-Gallon White
1G	15-Gallon UV Gray
1N	15-Gallon White
3G	30-Gallon UV Gray
3N	30-Gallon White

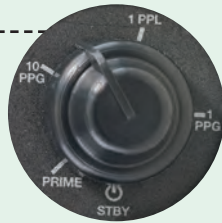
Tank System and Meter System are two separate systems and not sold as one.

NOTE: Injection check valve included with pumps rated 100 psi (6.9 bar) maximum.

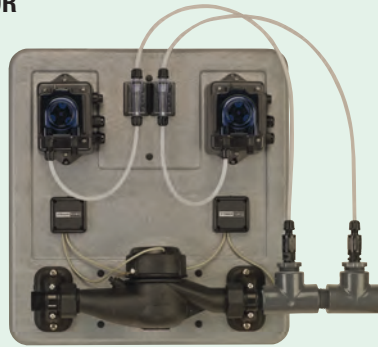
NOTICE: The information within these charts is solely intended for use as a guide. The output data is an approximation based on pumping water under a controlled testing environment. Many variables can affect the output of the pump. Stenner Pump Company recommends that all metering pumps undergo field calibration by means of analytical testing to confirm their outputs.



ECON STENNICATOR



Potentiometer



ECON STENNICATOR Meter Systems - Single and Dual



ECON Tank System

WATCH ANIMATED VIDEO

Econ Stennicator on a poultry farm
www.stenner.com/resources/videos

Quick Facts

- 2.7 ounces per minute, pressures to 80 psi maximum
- 1 or 10 ppg and 1 ppl water meter pulse settings
- Internal relay
- Standby setting
- Wall adapter power supply

Compact and Water Meter Activated

The Econ Stennicator injects solution at a fixed ratio of 1:128. The pulse from the water meter activates the pump at a fixed run time to deliver the proper dosage. The pump has three pulse settings, adjustable with a potentiometer, to accommodate 1 or 10 pulses per gallon or 1 pulse per liter. The pump's internal relay feature can repeat the incoming meter signal to another Stennicator, controller or other device. Additional features include an on/off switch, prime and a standby setting.

Not a Traditional Medicator for Livestock Water

The Stennicator, Stenner's peristaltic medicator, is not a typical 1:128 water driven proportional pump. The pump injects directly into the water line eliminating a water bypass that can restrict water flow to the drinker lines. Poor water quality, scale and solids are not harmful to the pump. The Stennicator is compact with a small footprint and can adapt to an existing pulse water meter. If utilizing a house controller, the pump's internal relay allows the water meter to send the signal to the controller to register the water consumption. The pump can accurately inject or be placed in standby, without interrupting the water meter signal.

Stennicator Meter System or Tank System

For convenient and quick installations or turnkey operations, the Stennicator Meter System is equipped with the pump and corresponding dry contact 3/4" or 1" water meter mounted on a heavy duty panel.

The pre-assembled Tank System is equipped with the pump mounted to a 7.5, 15 or 30 gallon capacity tank. Select UV Gray for outdoor installations or translucent white.

Features

- Advantages of Stenner peristaltic pumps on page 1
- Tube replacement without tools
- Activate multiple pumps from one meter
- No water restriction or pressure loss
- On/off switch
- Brushless motor
- Enclosed housing
- cULus for indoor/outdoor use

ECON STENNICATOR

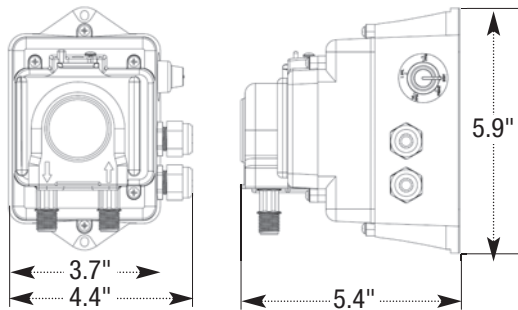
Weights and Dimensions

Pump

Shipping Weight 4 lbs (1.6 kg)

Box Dimensions 8 x 8 x 10 in. (21 x 21 x 25 cm)

Product Dimensions



Meter System

Shipping Weight

Single 17 lbs (7.7 kg)

Dual 20 lbs (9.1 kg)

Box Dimensions

8 x 8 x 10 in. (21 x 21 x 25 cm)

Accessories Shipped with Each Pump

- 3 Connecting nuts 1/4"
- 3 Ferrules 1/4"
- 1 Injection check valve
- 1 Weighted suction line strainer 1/4"
- 1 20' Roll suction/discharge tubing 1/4" white
- 1 Additional pump tube
- 1 Manual

Specifications

Flow Rate Output Control

On/off switch, fixed output

Reproducibility $\pm 2\%$

Maximum Working Pressure 80 psi (5.5 bar)

Maximum Operating Temperature 104°F (40°C)

Maximum Suction Lift

25 ft (7.6 m) vertical lift, based on water

Motor Type 24VDC, brushless

Shaft rpm (average maximum) 60

Duty Cycle Continuous

Maximum Viscosity 50 Centipoise

Motor Voltage (Amp Draw) 120V 60Hz (0.17)

External Power Supply 100-120VAC, 60Hz

Power Cord Type 120V 60Hz: STP-2W

Power Cord Plug End

Wall adapter, Class II power supply:

100-120V 60Hz: 1.0A maximum input,
two prong, polarized 24VDC, 1.25A output

Power Cord Length 10 ft (3.05 m)

Classification Indoor/Outdoor

Materials of Construction

All Housings Polycarbonate

Pump Tube & Check Valve Duckbill

Santoprene®, FDA approved

Pump Head Rollers Polyethylene

Suction/Discharge Tubing, Ferrules

Polyethylene, FDA approved

Tube and Injection Fittings

PVC or Polypropylene, NSF listed

Connecting Nuts PVC or Polypropylene, NSF listed

Suction Line Strainer and Cap

PVC or Polypropylene, NSF listed,
with Ceramic Weight

All Fasteners Stainless steel

NOTE: Refer to the chemical guide for material compatibility.

Agency Listings



ECON STENNICATOR 80 psi (5.5 bar) Flow Rate Outputs

Item Number Prefix	Pump Tube	Roller Assembly	Ounces per Minute	Milliliters per Minute
E20MH81S	H	Black	2.7	74.0

Approximate Max. Output @ 50/60Hz



E	2	0	M	H	8	1	S
----------	----------	----------	----------	----------	----------	----------	----------

Item Number for Econ Stennicator Pump

120V 60Hz, 1/4" white suction/discharge tubing

OPTIONAL

To order **Tank System**, insert code before pump item number.

	E	2	0	M	H	8	1	S
--	----------	----------	----------	----------	----------	----------	----------	----------

code	Tank System
S7G	7.5-Gallon UV Gray
S7N	7.5-Gallon White
S1G	15-Gallon UV Gray
S1N	15-Gallon White
S3G	30-Gallon UV Gray
S3N	30-Gallon White

To order **Meter System**, insert codes as shown.

	E	2	0	M	H	8	1	S		
--	----------	----------	----------	----------	----------	----------	----------	----------	--	--

code	System	code	Meter System
S	Single	341	3/4" 1 pulse/gallon
D	Dual	340	3/4" 10 pulses/gallon
		34L	3/4" 1 pulse/liter
		011	1" 1 pulse/gallon
		010	1" 10 pulses/gallon
		01L	1" 1 pulse/liter

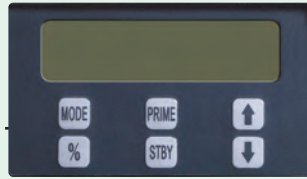
Tank System and Meter System are two separate systems and not sold as one.

NOTE: Injection check valve included with pumps rated 80 psi (5.5 bar) maximum.

! NOTICE: The information within this chart is solely intended for use as a guide. The output data is an approximation based on pumping water under a controlled testing environment. Many variables can affect the output of the pump. Stenner Pump Company recommends that all metering pumps undergo field calibration by means of analytical testing to confirm their outputs.



ECON INTEGRATOR™



Control Panel



ECON INTEGRATOR™ Meter System



ECON Tank System

Three Operating Modes

SECONDS: The pump can accept a dry (non-voltage) contact signal and will run for a set **time** in response to receiving the signal. There are five pump operating time ranges; the maximum time is displayed on the control panel. The run time is adjustable from 10% to 100% in 1% increments.

1 second = 0.1-1.0 5 seconds = 0.5-5.0 10 seconds = 1.0-10.0
 20 seconds = 2.0-20.0 60 seconds = 6.0-60.0

FLOW SWITCH: The pump can accept a dry (non-voltage) contact signal from a 2 wire flow switch and will run at the set **speed** as long as it receives the dry contact. The pump speed is adjustable from 10% to 100% in 1% increments.

AUXILIARY: The pump can accept a 12-24 VAC/VDC signal from control equipment that responds to flow and will run at a set **speed** for as long as it receives the signal. The pump speed is adjustable from 10% to 100% in 1% increments. The internal relay does not work with a 12-24 VAC/VDC signal.

Quick Facts

- 4.5, 16.0, 30.0 gpd, pressures to 80 psi maximum
- Digital keypad with LCD display
- 10:1 turndown, 1% increments
- Flow activated with internal relay
- Wall adapter power supply

Proportional Pump with Internal Relay

The Econ Integrator™ is a flow activated peristaltic pump featuring three operational modes and an internal relay. The relay provides a dry contact output signal replicating the signal the pump receives. The signal output can control another device that accepts a dry contact signal such as another Econ Integrator™. Multiple pumps can be activated by one water meter. The relay is operable in the Seconds or Flow Switch mode.

In livestock operations, the relay is especially useful when an existing water meter is utilized to tally water consumption to a controller. The relay allows the meter to send a signal to the pump and to the controller; eliminating the need for another meter. The signal can be sent if the pump is operating or in standby.

Econ Integrator™ Meter System or Tank System

For convenient and quick installations or turnkey operations, the Econ Integrator™ Meter System is equipped with the pump and corresponding dry contact 3/4" or 1" water meter mounted on a heavy duty panel.

The pre-assembled Tank System is equipped with the pump mounted to a 7.5, 15 or 30 gallon capacity tank. Select UV Gray for outdoor installations or translucent white.

Features

- Advantages of Stenner peristaltic pumps on page 1
- Tube replacement without tools
- Patented quick release pump head
- Enclosed housing
- Wall mountable
- Optional mounting accessories available
- cULus for indoor/outdoor use
- NSF 61 & 372

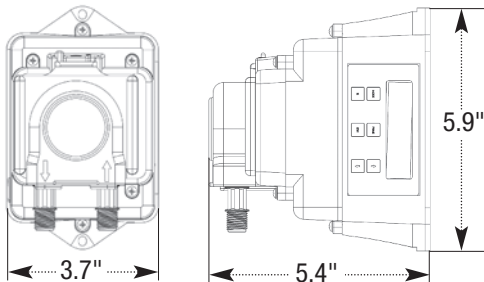
Weights and Dimensions

Pump

Shipping Weight 4 lbs (1.8 kg)

Box Dimensions 8 x 8 x 10 in. (21 x 21 x 25 cm)

Product Dimensions



Meter System

Shipping Weight 17 lbs (7.7 kg)

Box Dimensions 24 x 23 x 12 in. (61 x 58 x 30 cm)

Accessories Shipped with Each Pump

- 3 Connecting nuts 1/4"
- 3 Ferrules 1/4" or 6 mm *Europe*
- 1 Injection check valve
- 1 Weighted suction line strainer 1/4" or 6 mm *Europe*
- 1 20' Roll suction/discharge tubing 1/4" white or UV black or 6 mm white *Europe*
- 1 Additional pump tube
- 1 Manual

Specifications

Flow Rate Output Control

Six button control panel with LCD display

Reproducibility $\pm 2\%$

Maximum Working Pressure 80 psi (5.5 bar)

Maximum Operating Temperature 104°F (40°C)

Maximum Suction Lift

25 ft (7.6 m) vertical lift, based on water

Motor Type 24VDC, brushless

Shaft rpm (average maximum) 60

Duty Cycle Continuous

Maximum Viscosity 100 Centipoise

Motor Voltage (Amp Draw) 120V 60Hz (0.17)

External Power Supply 100-120VAC, 60Hz

Power Cord Type 120V 60Hz: STP-2W

Power Cord Plug End

Wall adapter, Class II power supply: 100-120V 60Hz: 1.0A maximum input, two prong, polarized 24VDC, 1.25A output

Power Cord Length 6 ft (1.8 m), 10 ft (3.05 m)

Classification Indoor/Outdoor

Materials of Construction

All Housings Polycarbonate

Pump Tube & Check Valve Duckbill

Santoprene®, FDA approved

Pump Head Rollers Polyethylene

Suction/Discharge Tubing, Ferrules

Polyethylene, FDA approved

Tube and Injection Fittings

PVC or Polypropylene, NSF listed

Connecting Nuts PVC or Polypropylene, NSF listed

Suction Line Strainer and Cap

PVC or Polypropylene, NSF listed, with Ceramic Weight

All Fasteners Stainless steel

NOTE: Refer to the chemical guide for material compatibility.

Agency Listings



THE PUMP IS TESTED AND
CERTIFIED BY WQA ACCORDING TO
ANSI/NSF 61 FOR CONTACT WITH
SODIUM HYPOCHLORITE AND
WATER ONLY AND ANSISF-372.



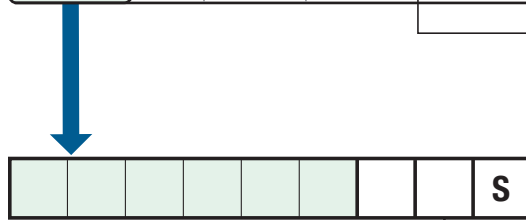
LISTED
METERING PUMP
SMP

ECON INTEGRATOR™ SERIES

ECON INTEGRATOR™ 80 psi (5.5 bar) maximum Flow Rate Outputs

Item Number Prefix	Pump Tube	Roller Assembly	Turndown Ratio	Gallons per Day	Gallons per Hour	Ounces per Hour	Ounces per Minute	Liters per Day	Liters per Hour	Milliliters per Hour	Milliliters per Minute
E1ORLM	M	White	10:1	0.49	0.02	2.6	0.04	1.84	0.08	76.7	1.3
E1ORHM	M	White	10:1	0.83	0.03	4.4	0.07	3.14	0.13	130.8	2.2
E2ORHM	M	White	10:1	1.41	0.06	7.5	0.13	5.36	0.22	223.2	3.7
E2ORHF	F	White	10:1	4.5	0.19	24.0	0.40	17.01	0.71	708.8	11.8
E2ORHG	G	Black	10:1	16.0	0.67	85.3	1.42	60.48	2.52	2520.0	42.0
E2ORHH	H	Black	10:1	30.0	1.25	160.0	2.67	113.40	4.73	4725.0	78.8

Approximate Maximum Output @ 50/60Hz



To Order, Build Pump Item Number

Insert item number prefix and code for each specification.

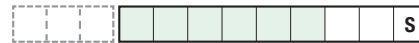
code	Voltage & Hertz
7	120V 60Hz; 6' cord
8	120V 60Hz; 10' cord

code	Suction & Discharge Tubing
1	1/4" White
2	1/4" UV Black

O.D. does not affect output.

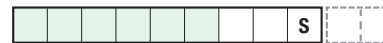
OPTIONAL

To order **Tank System**, insert code before pump item number.



code	Tank System
S7G	7.5-Gallon UV Gray
S7N	7.5-Gallon White
S1G	15-Gallon UV Gray
S1N	15-Gallon White
S3G	30-Gallon UV Gray
S3N	30-Gallon White

To order **Meter System**, insert code after pump item number.



code	Meter System
71	3/4" 1 pulse/gallon
72	3/4" 2 pulses/gallon
74	3/4" 4 pulses/gallon
11	1" 1 pulse/gallon
12	1" 2 pulses/gallon
14	1" 4 pulses/gallon

Tank System and Meter System are two separate systems and not sold as one.

NOTE: Injection check valve included with pumps rated 80 psi (5.5 bar) maximum.

NOTICE: The information within this chart is solely intended for use as a guide. The output data is an approximation based on pumping water under a controlled testing environment. Many variables can affect the output of the pump. Stenner Pump Company recommends that all metering pumps undergo field calibration by means of analytical testing to confirm their outputs.



Quick Facts

- Outputs of 0.053-30.0 gpd, pressures to 80 psi maximum
- Digital keypad with LCD display
- 10:1 turndown, 1% increments
- Wall adapter power supply

Flow Activated

The Econ FP is a flow activated peristaltic pump with three modes of operation. Based on the mode of operation selected, the pump runs at a set time or a set speed in response to receiving a signal. The control panel displays one of three operating modes: Seconds, Flow Switch or Auxiliary. The pump is designed for light duty applications such as drinking water disinfection or pH adjustment for private water wells in homes or farms.

Econ FP Meter System or Tank System

For convenient and quick installations or turnkey operations, the Econ FP Meter System is equipped with the pump and corresponding dry contact 3/4" or 1" water meter mounted on a heavy duty panel.

The pre-assembled Tank System is equipped with the pump mounted to a 7.5, 15 or 30 gallon capacity tank. Select UV Gray for outdoor installations or translucent white.

Three Operating Modes

SECONDS: The pump can accept a dry (non-voltage) contact signal and will run for a set **time** in response to receiving the signal. There are five pump operating time ranges; the maximum time is displayed on the control panel. The run time is adjustable from 10% to 100% in 1% increments.

1 second = 0.1-1.0 5 seconds = 0.5-5.0 10 seconds = 1.0-10.0
 20 seconds = 2.0-20.0 60 seconds = 6.0-60.0

FLOW SWITCH: The pump can accept a dry (non-voltage) contact signal from a 2 wire flow switch and will run at the set **speed** as long as it receives the dry contact. The pump speed is adjustable from 10% to 100% in 1% increments.

AUXILIARY: The pump can accept a 12-24 VAC/VDC signal from control equipment that responds to flow and will run at a set **speed** for as long as it receives the signal. The pump speed is adjustable from 10% to 100% in 1% increments.

Features

- Advantages of Stenner peristaltic pumps on page 1
- Patented quick release pump head
- Tube replacement without tools
- Enclosed housing
- Solid one piece tube construction
- Wall mountable
- Optional mounting accessories available
- cULus for indoor/outdoor use
- NSF 61 & 372
- CE listed, varies by model

ECON FP SERIES

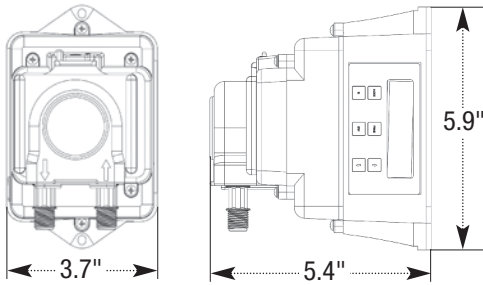
Weights and Dimensions

Pump

Shipping Weight 4 lbs (1.7 kg)

Box Dimensions 8 X 8 x 10 in. (21 x 21 x 25 cm)

Product Dimensions



Meter System

Shipping Weight 17 lbs (7.7 kg)

Box Dimensions 24 x 23 x 12 in. (61 x 58 x 30 cm)

Accessories Shipped with Each Pump

- 3 Connecting nuts 1/4"
- 3 Ferrules 1/4" or 6 mm *Europe*
- 1 Injection check valve
- 1 Weighted suction line strainer 1/4" or 6 mm *Europe*
- 1 20' Roll suction/discharge tubing 1/4" white or UV black or 6 mm white *Europe*
- 1 Additional pump tube
- 1 Manual

Specifications

Flow Rate Output Control

Six button control panel with LCD display

Reproducibility ±2%

Maximum Working Pressure 80 psi (5.5 bar)

Maximum Operating Temperature 104°F (40°C)

Maximum Suction Lift

25 ft (7.6 m) vertical lift, based on water

Motor Type 24VDC, brushless

Shaft rpm (average maximum) 60

Duty Cycle Continuous

Maximum Viscosity 100 Centipoise

Motor Voltage (Amp Draw)

120V 60Hz, 240V 50Hz (0.17)

External Power Supply

100-120VAC, 60Hz or 220-240VAC, 50Hz

Power Cord Type

120V 60Hz, 240V 50Hz: STP-2W

Power Cord Plug End

Wall adapter, Class II power supply:

100-120V 60Hz: 1.0A maximum input,

two prong, polarized 24VDC, 1.25A output or

220-240V 50Hz: 1.0A maximum input,

two prong, CEE7 style plug 24VDC 1.87A output

Power Cord Length

6 ft (1.8 m), 10 ft (3.05 m)

Classification Indoor/Outdoor

Materials of Construction

All Housings Polycarbonate

Pump Tube & Check Valve Duckbill

Santoprene®, FDA approved

Pump Head Rollers Polyethylene

Suction/Discharge Tubing, Ferrules

Polyethylene, FDA approved

Tube and Injection Fittings

PVC or Polypropylene, NSF listed

Connecting Nuts PVC or Polypropylene, NSF listed

Suction Line Strainer and Cap

PVC or Polypropylene, NSF listed, with Ceramic Weight

All Fasteners Stainless steel

NOTE: Refer to the chemical guide for material compatibility.

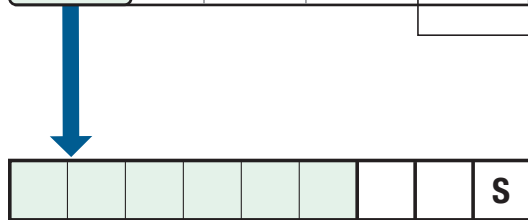
Agency Listings



ECON FP 80 psi (5.5 bar) maximum Flow Rate Outputs

Item Number Prefix	Pump Tube	Roller Assembly	Turndown Ratio	Gallons per Day	Gallons per Hour	Ounces per Hour	Ounces per Minute	Liters per Day	Liters per Hour	Milliliters per Hour	Milliliters per Minute
E10PLM	M	White	10:1	0.49	0.02	2.6	0.04	1.84	0.08	76.7	1.3
E10PHM	M	White	10:1	0.83	0.03	4.4	0.07	3.14	0.13	130.8	2.2
E20PHM	M	White	10:1	1.41	0.06	7.5	0.13	5.36	0.22	223.2	3.7
E20PHF	F	White	10:1	4.5	0.19	24.0	0.40	17.01	0.71	708.8	11.8
E20PHG	G	Black	10:1	16.0	0.67	85.3	1.42	60.48	2.52	2520.0	42.0
E20PHH	H	Black	10:1	30.0	1.25	160.0	2.67	113.40	4.73	4725.0	78.8

Approximate Maximum Output @ 50/60Hz



To Order, Build Pump Item Number

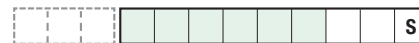
Insert item number prefix and code for each specification.

code	Voltage & Hertz	code	Suction & Discharge Tubing
7	120V 60Hz; 6' cord	1	1/4" White
8	120V 60Hz; 10' cord	2	1/4" UV Black
9	240V 50Hz; 6' cord <i>International</i>	5	6 mm White <i>Europe</i>

O.D does not affect output.

OPTIONAL

To order **Tank System**, insert code before pump item number.



code	Tank System
S7G	7.5-Gallon UV Gray
S7N	7.5-Gallon White
S1G	15-Gallon UV Gray
S1N	15-Gallon White
S3G	30-Gallon UV Gray
S3N	30-Gallon White

To order **Meter System**, insert code after pump item number.



code	Meter System
71	3/4" 1 pulse/gallon
72	3/4" 2 pulses/gallon
74	3/4" 4 pulses/gallon
11	1" 1 pulse/gallon
12	1" 2 pulses/gallon
14	1" 4 pulses/gallon

Tank System and Meter System are two separate systems and not sold as one.

NOTE: Injection check valve included with pumps rated 80 psi (5.5 bar) maximum.

NOTICE: The information within this chart is solely intended for use as a guide. The output data is an approximation based on pumping water under a controlled testing environment. Many variables can affect the output of the pump. Stenner Pump Company recommends that all metering pumps undergo field calibration by means of analytical testing to confirm their outputs.



ECON T



ECON T TANK SYSTEM

Features

- Advantages of Stenner peristaltic pumps on page 1
- Digital control pad with LCD display
- Programmable 24 hour clock
- Patented quick release pump head
- Tube replacement without tools
- Enclosed housing
- Wall mountable

Automatic Dosing Control for Timed Applications



The Econ T and TD pumps provide automatic injection and offer flexibility to program a customized dosing schedule for light duty applications. Program up to 24 independent On and Off events within a 7 day period. Each event can be set for a specific On and Off time for each selected day or days of the

week. The timer is programmed in hour and minutes increments. A battery is included as back-up to power loss to maintain the time and programmed events.

Quick Facts

ECON T

- 0.22–1.33 oz/min, pressures to 25 psi maximum
- 0.05–1.92 oz/min, pressures to 80 psi maximum
- Santoprene® pump tube
- Wall adapter power supply
- Optional mounting accessories
- Available as a Tank System

ECON TD

- 0.81–3.18 oz/min, pressures to 5 psi maximum
- FKM pump tube for d-Limonene
- Wall adapter power supply
- Indoor/outdoor use
- Optional mounting accessories

ECON TD Battery-Powered

- 2.2–4 oz/min, pressures to 5 psi maximum
- FKM pump tube for d-Limonene
- Silicone pump tube
- 8 D cell batteries 1.2V–1.5V or 2 6V lantern batteries, not included
- Indoor use
- Wall mountable only



ECON TD Electric



ECON TD Battery-Powered

Applications

ECON T

- Biocide feed for Legionella prevention in small cooling towers
- Sanitation for water fountains
- Injection of liquid solar blankets or enzymes for commercial pools
- Injection for scale and algae control in poultry evaporative cool cells
- Disinfection of poultry hatchery dip tanks

ECON TD

The Econ TD pumps are an extension of the Econ T programmable timer series designed for 5 psi or less. Timed applications such as commercial drain line maintenance, grease trap treatment or odor control installations are some of the possibilities. Unlike the Econ T, both TD pumps offer an FKM tube for d-Limonene. The Econ TD battery-powered pump offers a silicone pump tube option and is the only pump in the Econ line with a blue roller assembly.

Accessories Shipped with Each Pump

ECON T

- 3 Connecting nuts 1/4"
- 3 Ferrules 1/4" or 6 mm *Europe*
- 1 Injection check valve 80 psi (5.5 bar) maximum or 1 injection fitting 25 psi (1.7 bar) maximum
- 1 Weighted suction line strainer 1/4" or 6 mm *Europe*
- 1 20' Roll suction/discharge tubing 1/4" white or 6 mm white *Europe*
- 1 Additional pump tube
- 1 Manual

ECON TD

- 3 Connecting nuts 1/4"
- 3 Ferrules 1/4" or 6 mm *Europe*
- 1 Injection fitting
- 1 Ceramic weight with clip 1/4"
- 1 20' Roll suction/discharge tubing 1/4" white or UV black or 6 mm white *Europe*
- 1 Manual and addendum

NOTE: Econ TD Battery Pump includes 1 mounting bracket

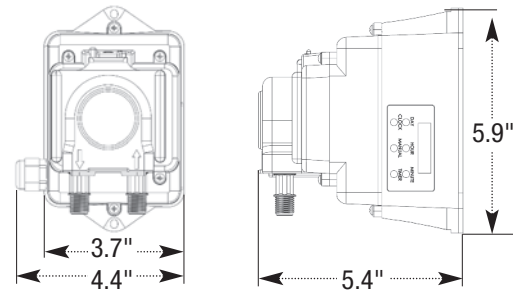
Weights and Dimensions

ECON T and ECON TD Electric-Powered

Shipping Weight 4 lbs (1.8 kg)

Box Dimensions 8 x 8 x 10 in. (21 x 21 x 25 cm)

Product Dimensions

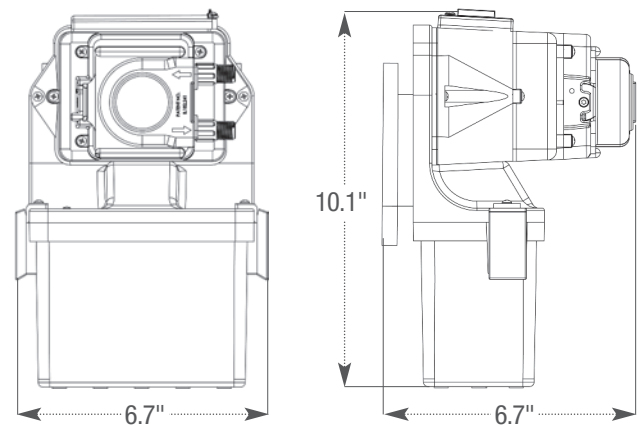


ECON TD Battery-Powered







Shipping Weight 5 lbs (2.1 kg)

Box Dimensions 14 x 9 x 10 in. (36 x 23 x 24 cm)

Product Dimensions



ECON TIMER SERIES

	ECON T	ECON TD Electric	ECON TD Battery
Specifications			
Flow Rate Output Control	Programmable 24 hr clock, 7 day, 24 event timer	Programmable 24 hr clock, 7 day, 24 event timer	Programmable 24 hr clock, 7 day, 24 event timer
Reproducibility	±5%	±15%	Varies depending on battery quality and strength
Max. Working Pressure	25 psi (1.7 bar), 80 psi (5.5 bar)	5 psi (0.34 bar)	5 psi (0.34 bar)
Max. Operating Temperature	104°F (40°C)	104°F (40°C)	104°F (40°C)
Max. Suction Lift	25 ft (7.6 m) vertical lift, based on water	5 ft (1.5 m) vertical lift, based on water	5 ft (1.5 m) vertical lift, based on water
Motor Type	24VDC, brushed	24VDC, brushed	Proprietary
Shaft rpm (average maximum)	9, 18 or 40	8, 18, 25 or 40	Varies depending on battery quality and strength
Duty Cycle	Continuous	Continuous	Intermittent
Maximum Viscosity	100 Centipoise	100 Centipoise	100 Centipoise
Motor Voltage (Amp Draw)	120V 60Hz (0.17), 240V 50Hz (0.17)	120V 60Hz (0.17), 240V 50Hz (0.17)	n/a
External Power Supply	100-120VAC, 60Hz or 220-240VAC, 50Hz	100-120VAC, 60Hz or 220-240VAC, 50Hz	8 D cell (1.2V-1.5V) or 2 6V lantern (not included)
Power Cord Type	120V 60Hz, 240V 50Hz: STP-2W	120V 60Hz, 240V 50Hz: STP-2W	n/a
Power Cord Plug End	Wall adapter, Class II power supply: 100-120V 60Hz: 1.0A maximum input, two prong, polarized 24VDC, 1.25A output or 220-240V 50Hz: 1.0A maximum input, two prong, CEE7 style plug 24VDC 1.87A output	Wall adapter, Class II power supply: 100-120V 60Hz: 1.0A maximum input, two prong, polarized 24VDC, 1.25A output or 220-240V 50Hz: 1.0A maximum input, two prong, CEE7 style plug 24VDC 1.87A output	n/a
Power Cord Length	6 ft (1.8 m) or 10 ft (3.05 m)	6 ft (1.8 m) or 10 ft (3.05 m)	n/a
Classification	Indoor/Outdoor	Indoor/Outdoor	Indoor only
Materials of Construction			
Pump Tube	Santoprene®	FKM	FKM or Silicone
Check Valve Duckbill	Santoprene®, FDA approved	n/a	n/a
Suction Line Weight	Strainer & Cap PVC or Polypropylene, NSF listed, with Ceramic Weight	Ceramic Weight with 1/4" Clip PVC, NSF listed	Ceramic Weight with 1/4" Clip PVC, NSF listed
Housings	Polycarbonate	Polycarbonate	Polycarbonate
Pump Head Rollers	Polyethylene	Polyethylene	Polyethylene
Suction/Discharge Tubing and Ferrules	Polyethylene, FDA approved	Polyethylene, FDA approved	Polyethylene, FDA approved
Tube and Injection Fittings	PVC or Polypropylene, NSF listed	PVC or Polypropylene, NSF listed	PVC or Polypropylene, NSF listed
Connecting Nuts	PVC or Polypropylene, NSF listed	PVC or Polypropylene, NSF listed	PVC or Polypropylene, NSF listed
All Fasteners	Stainless steel	Stainless steel	Stainless steel
NOTE: Refer to the chemical guide for material compatibility.			
Agency Listings	    Intertek 88247 CONFORMS TO ANSI/NSF STD. 50 Equipment for swimming pools, spas, hot tubs and other recreational water facilities. C USA THIS PUMP IS TESTED AND CERTIFIED BY NSF ACCORDING TO STANDARD 50 FOR CONTACT WITH SWIMMING POOL WATER AND WATER ONLY AND ANSI/NSF 50.	  c UL US LISTED METERING PUMP 41F1	n/a
Listings vary by model 25 psi models tested and certified by Intertek to Standard ANSI/NSF 50, Equipment for Swimming Pools, Spas, Hot Tubs, and Other Recreational Water Facilities.			

ECON T 25 psi (1.7 bar) maximum Flow Rate Outputs

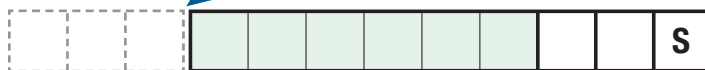
Item Number Prefix	Pump Tube	Roller Assembly	Gallons per Day	Gallons per Hour	Ounces per Hour	Ounces per Minute	Liters per Day	Liters per Hour	Milliliters per Hour	Milliliters per Minute
E10T1A	A	White	2.5	0.10	13.2	0.22	9.5	0.39	396.0	6.60
E10T2A	A	White	5.0	0.21	26.4	0.44	18.9	0.79	786.0	13.10
E10T2B	B	White	8.5	0.35	45.6	0.76	32.2	1.34	1338.0	22.30
E10T2C	C	White	15.0	0.63	79.8	1.33	56.8	2.37	2364.0	39.40

Approximate Output @ 50/60Hz

ECON T 80 psi (5.5 bar) maximum Flow Rate Outputs

Item Number Prefix	Pump Tube	Roller Assembly	Gallons per Day	Gallons per Hour	Ounces per Hour	Ounces per Minute	Liters per Day	Liters per Hour	Milliliters per Hour	Milliliters per Minute
E10T1F	F	White	0.6	0.02	3.0	0.05	2.2	0.09	90.0	1.50
E10T2F	F	White	1.3	0.05	6.6	0.11	4.8	0.20	198.0	3.30
E20T4F	F	White	3.4	0.14	18.0	0.30	13.1	0.54	544.8	9.08
E20T4G	G	Black	12.3	0.51	65.4	1.09	46.5	1.94	1937.4	32.29
E20T4H	H	Black	21.7	0.90	115.2	1.92	82.0	3.41	3416.4	56.94

Approximate Output @ 50/60Hz



To Order, Build Pump Item Number

Insert item number prefix and code for each specification.

code	Voltage & Hertz
7	120V 60Hz; 6' cord
8	120V 60Hz; 10' cord
9	240V 50Hz; 6' cord <i>International</i>

code	Suction & Discharge Tubing
1	1/4" White
2	1/4" UV Black
5	6 mm White <i>Europe</i>

O.D does not affect output.

OPTIONAL

To order **Tank System**, insert code before pump item number.

code	Tank System
S7G	7.5-Gallon UV Gray
S7N	7.5-Gallon White
S1G	15-Gallon UV Gray
S1N	15-Gallon White
S3G	30-Gallon UV Gray
S3N	30-Gallon White

NOTE: Injection check valve included with pumps rated 80 psi (5.5 bar) maximum.

NOTICE: The information within these charts is solely intended for use as a guide. The output data is an approximation based on pumping water under a controlled testing environment. Many variables can affect the output of the pump. Stenner Pump Company recommends that all metering pumps undergo field calibration by means of analytical testing to confirm their outputs.

ECON TIMER SERIES

ECON TD 5 psi (0.34 bar) Flow Rate Outputs

Item Number Prefix	Pump Tube	Roller Assembly	Gallons per Day	Gallons per Hour	Ounces per Hour	Ounces per Minute	Liters per Day	Liters per Hour	Milliliters per Hour	Milliliters per Minute
E20T1C3	C3	Black	9.10	0.38	48.7	0.81	34.6	1.44	1440.0	24.0
E20T2C3	C3	Black	17.10	0.71	91.2	1.52	64.7	2.70	2687.6	44.8
E20T3C3	C3	Black	23.20	0.97	123.7	2.06	87.8	3.66	3659.2	61.0
E20T4C3	C3	Black	35.76	1.49	190.7	3.18	135.4	5.64	5640.3	94.0

Approximate Maximum Output @ 50/60Hz



To Order, Build Pump Item Number

Insert item number prefix and code for each specification.

code	Voltage & Hertz	code	Suction & Discharge Tubing
7	120V 60Hz; 6' cord	1	1/4" White
8	220V 60Hz; 10' cord	5	6 mm White <i>Europe</i>
9	240V 50Hz; 6' cord <i>International</i>		O.D. does not affect output.

ECON TD Battery-Powered 5 psi (0.34 bar) Flow Rate Outputs

Item Number Prefix	Pump Tube	Roller Assembly	Gallons per Day	Gallons per Hour	Ounces per Hour	Ounces per Minute	Liters per Day	Liters per Hour	Milliliters per Hour	Milliliters per Minute
E10T01C3	C3	Black	24.7	1.00	132.0	2.2	94.0	3.9	3904.0	65.0
E20T01C3	C3	Black	41.7	1.74	222.0	3.7	158.0	6.6	6577.0	110.0
E10T01C4	C3	Black	27.0	1.10	144.0	2.4	2.4	102.0	4.2	4259.0
E20T01C4	C3	Black	45.0	1.88	240.0	4.0	4.0	170.0	7.1	7098.0

Approximate output with fully charged batteries, new tube and zero foot suction lift.



To Order, Build Pump Item Number

Insert item number prefix and code for suction & discharge tubing.

code	Suction & Discharge Tubing
1	1/4" White
5	6 mm White <i>Europe</i>

O.D. does not affect output.

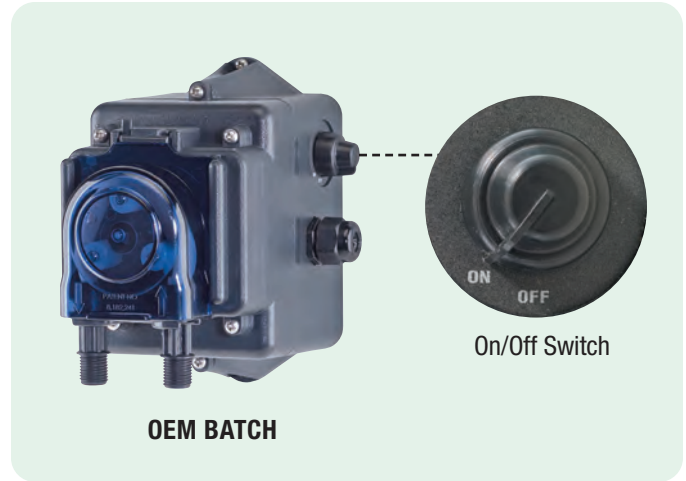
NOTICE: The information within this chart is solely intended for use as a guide. The output data is an approximation based on pumping water under a controlled testing environment. Many variables can affect the output of the pump. Stenner Pump Company recommends that all metering pumps undergo field calibration by means of analytical testing to confirm their outputs.



OEM

Stenner's custom OEM pump can be designed with the customer's supplied motor and gearbox. A standard OEM bracket is provided, or a custom bracket can be designed. The pump is offered with a brushless or brushed DC motor, and as an open or enclosed version.

Enclosed versions offer an optional internal power supply and customizable power cord for 100-240VAC, 50/60Hz. The customer selects the fixed output from ranges of 0.04 ounces per hour to 2.08 gallons per hour, up to 80 psi (1.3 milliliters per hour to 7.88 liters per hour, up to 5.5 bar).



OEM BATCH

On/Off Switch

The custom OEM batch pump is factory programmed to run a specific length of time when manually activated by an integral switch or can be designed to activate with an input signal. The customer selects the pump run time from 0.1 seconds to 24 hours per activations.

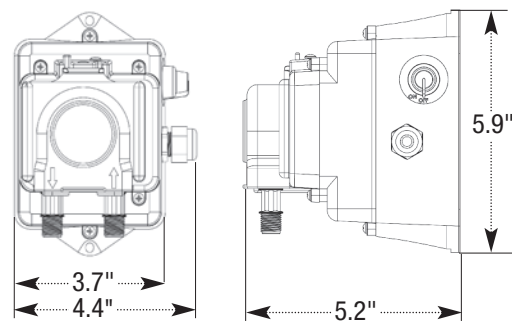
The pre-set fluid volume choices are up to 50 gallons per day, up to 80 psi (189.3 liters per day, up to 5.5 bar). The pump is supplied with a 24VDC brushless motor and a customizable power cord for 100-240VAC, 50/60Hz. The pump can also be supplied without an internal power supply.

Weights and Dimensions

Shipping Weight 4 lbs (1.5 kg)

Box Dimensions 8 x 8 x 10 in. (21 x 21 x 25 cm)

Product Dimensions



Quick Facts

- 0.04-8.1 oz/hr, pressures to 80 psi maximum
- Adjustable potentiometer
- Select custom color
- Optional tube materials
- Dual bearing support output shaft
- Serviceable liquid end, gear train & motor
- Agency approvals available
- Voltage options



ECON LD



Potentiometer



ECON Tank System

Quick Facts

- 0.04-50.7 oz/hr, pressures to 80 psi maximum
- Adjustable potentiometer
- 50:1 turndown

Features

- Advantages of Stenner peristaltic pumps on page 1
- Patented quick release pump head
- Tube replacement without tools
- Brushless motor
- Enclosed housing
- Optional mounting accessories available
- Tank System ships with pump pre-mounted to the tank
- cULus for indoor/outdoor use
- CE listed, varies by model
- NSF 61 & 372

Accurate Low Volume Metering

The Econ LD is a precise, compact variable speed peristaltic pump designed for metering low volumes when reliability and accuracy are a must. Ideal for pumping flocculants, coagulants, sanitizers, and a variety of solutions. The quiet, long lasting brushless motor, in a totally enclosed housing, offers premium quality in a compact pump.

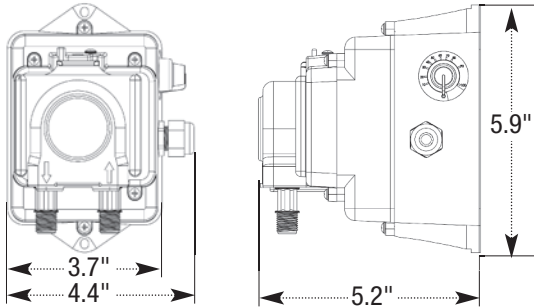
The design incorporates the latest microprocessor technology with a simple potentiometer control and on/off switch. The potentiometer has a 50:1 turndown offering a wide range of outputs. Adjusting the potentiometer clockwise gradually increases the pump speed to 100%. Turning the potentiometer fully counterclockwise turns the pump off.

Weights and Dimensions

Shipping Weight 4 lbs (1.6 kg)

Box Dimensions 8 x 8 x 10 in. (21 x 21 x 25 cm)

Product Dimensions



Accessories Shipped with Each Pump

- 3 Connecting nuts 1/4"
- 3 Ferrules 1/4" or 6 mm *Europe*
- 1 Injection check valve
- 1 Weighted suction line strainer 1/4" or 6 mm *Europe*
- 1 20' Roll suction/discharge tubing 1/4" white or 6 mm white *Europe*
- 1 Additional pump tube
- 1 Manual

Specifications

Flow Rate Output Control

Potentiometer, 50:1 Turndown

Reproducibility $\pm 2\%$

Maximum Working Pressure 80 psi (5.5 bar)

Maximum Operating Temperature 104°F (40°C)

Maximum Suction Lift

25 ft (7.6 m) vertical lift, based on water

Motor Type 24VDC, brushless

Shaft rpm (average maximum) 17

Duty Cycle Continuous

Maximum Viscosity 50 Centipoise

Motor Voltage (Amp Draw)

120V 60Hz, 230V 50Hz (0.17)

Power Cord Type

120V 60Hz: SJTOW, 230V 50Hz: H05RN-F

Power Cord Plug End

120V 60Hz NEMA 5-15P, 230V 50Hz CEE7/7

Power Cord Length 6 ft (1.8 m)

Classification Indoor/Outdoor

Materials of Construction

All Housings Polycarbonate

Pump Tube & Check Valve Duckbill

Santoprene®, FDA approved

Pump Head Rollers Polyethylene

Suction/Discharge Tubing, Ferrules

Polyethylene, FDA approved

Tube and Injection Fittings

PVC or Polypropylene, NSF listed

Connecting Nuts PVC or Polypropylene, NSF listed

Suction Line Strainer and Cap

PVC or Polypropylene, NSF listed, with Ceramic Weight

All Fasteners Stainless steel

NOTE: Refer to the chemical guide for material compatibility.

Agency Listings



IP44



THIS PUMP IS TESTED AND CERTIFIED BY IAPMO ACCORDING TO ANS/NSF 61 FOR CONTACT WITH SODIUM HYPOCHLORITE AND WATER ONLY AND NSF/ANSI 372.

Models (Santoprene® only) tested by IAPMO to conform to ANSI/NSF STD 61 & 372.

ECON LD SERIES

ECON LD 80 psi (5.5 bar) maximum Flow Rate Outputs

Item Number Prefix	Pump Tube	Roller Assembly	Turndown Ratio	Ounces per Hour	Milliliters per Hour
E10LHM	M	White	50:1	0.04 to 2.4	1.3 to 70.0
E10LHF	F	White	50:1	0.11 to 8.1	3.2 to 240.0
E10LHG	G	Black	50:1	0.50 to 25.1	14.8 to 742.3
E10LHH	H	Black	50:1	1.01 to 50.7	29.7 to 1499.4

Approximate Max. Output @ 50/60Hz



To Order, Build Pump Item Number

Insert item number prefix and code for each specification.

code	Voltage & Hertz
A	120V 60Hz
C	230V 50Hz <i>International</i>

Contact the factory for additional voltage and plug options.

code	Suction & Discharge Tubing
1	1/4" White
5	6 mm White <i>Europe</i>

O.D does not affect output.

OPTIONAL

To order **Tank System**, insert code before pump item number.

code	Tank System
S7G	7.5-Gallon UV Gray
S7N	7.5-Gallon White
S1G	15-Gallon UV Gray
S1N	15-Gallon White
S3G	30-Gallon UV Gray
S3N	30-Gallon White

NOTE: Injection check valve included with pumps rated 80 psi (5.5 bar) maximum.

NOTICE: The information within this chart is solely intended for use as a guide. The output data is an approximation based on pumping water under a controlled testing environment. Many variables can affect the output of the pump. Stenner Pump Company recommends that all metering pumps undergo field calibration by means of analytical testing to confirm their outputs.



ECON FX



ECON Tank System



ECON VX



Potentiometer

Quick Facts

ECON FX – Fixed Speed

- No adjustment
- 7.4, 14.0, 24.8, or 38.8 gpd, pressures to 25 psi maximum
- 14.0 or 23.5 gpd, pressures to 80 psi maximum

ECON VX – Variable Speed

- Adjustable potentiometer
- 0.8 to 38.8 gpd, pressures to 25 psi maximum
- 1.7 to 23.5 gpd, pressures to 80 psi maximum

Features

- Advantages of Stenner peristaltic pumps on page 1
- Patented quick release pump head
- Tube replacement without tools
- Enclosed housing
- Wall mountable
- Optional mounting accessories page 60

Reliable Accurate Metering

Both the Econ VX and FX are peristaltic pumps designed with a totally enclosed brushed motor for light duty or general intermittent applications. The pumps work well for fluid transfer, sampling or injecting a variety of solutions for swimming pools, food & beverage, metal finishing, irrigation and horticulture and more.

The pumps are wall mountable or select one of the optional mounting accessories. The Econ VX or FX is offered as a Tank System; the pump is shipped pre-mounted to a 7.5, 15 or 30 gallon solution tank. The pumps are cULus for indoor and outdoor use; CE IP44 is also available.

ECON FX and VX SERIES

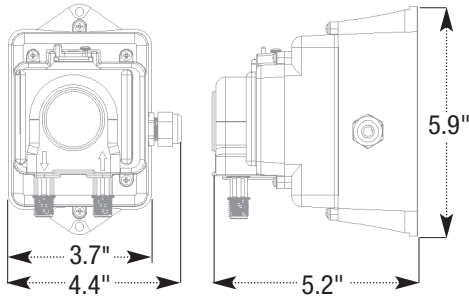
Weights and Dimensions

ECON FX

Shipping Weight 3 lbs (1.4 kg)

Box Dimensions 8 x 8 x 10 in. (21 x 21 x 25 cm)

Product Dimensions

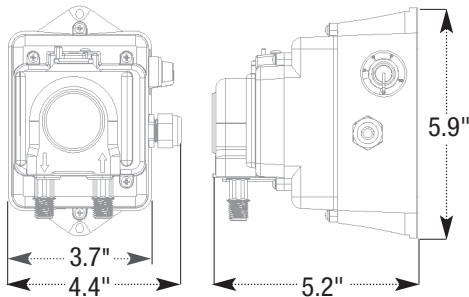


ECON VX

Shipping Weight 4 lbs (1.5 kg)

Box Dimensions 8 x 8 x 10 in. (21 x 21 x 25 cm)

Product Dimensions



Accessories Shipped with Each Pump

- 3 Connecting nuts 1/4"
- 3 Ferrules 1/4" or 6 mm *Europe*
- 1 Injection check valve 80 psi (5.5 bar) maximum or 1 injection fitting 25 psi (1.7 bar) maximum
- 1 Weighted suction line strainer 1/4" or 6 mm *Europe*
- 1 20' Roll suction/discharge tubing 1/4" white or UV black or 6 mm white *Europe*
- 1 Additional pump tube
- 1 Manual

Specifications

Flow Rate Output Control

ECON FX Fixed speed, no adjustment

ECON VX Adjustable potentiometer

Reproducibility ±5%

Maximum Working Pressure 80 psi (5.5 bar), 25 psi (1.7 bar)

Maximum Operating Temperature 104°F (40°C)

Maximum Suction Lift 25 ft (7.6 m) vertical lift, based on water

Motor Type 24VDC, brushed

Shaft rpm (average maximum) 26, 44

Duty Cycle Continuous

Maximum Viscosity 100 Centipoise

Motor Voltage (Amp Draw) 120V 60Hz (0.25), 230V 50Hz (0.17)

Power Cord Type 120V 60Hz: SJTOW, 230V 50Hz: H05RN-F

Power Cord Plug End 120V 60Hz NEMA 5-15P, 230V 50Hz CEE7/7

Power Cord Length 6 ft (1.8 m)

Classification Indoor/Outdoor

Materials of Construction

All Housings Polycarbonate

Pump Tube & Check Valve Duckbill Santoprene®, FDA approved

Pump Head Rollers Polyethylene

Suction/Discharge Tubing, Ferrules Polyethylene, FDA approved

Tube and Injection Fittings PVC or Polypropylene, NSF listed

Connecting Nuts PVC or Polypropylene, NSF listed

Suction Line Strainer and Cap

PVC or Polypropylene, NSF listed, with Ceramic Weight

All Fasteners Stainless steel

NOTE: Refer to the chemical guide for material compatibility.

Agency Listings



IP44

ECON FX Fixed Speed - Flow Rate Outputs

Item Number Prefix	Pump Tube	Roller Assembly	Gallons per Day	Gallons per Hour	Ounces per Hour	Ounces per Minute	Pressure psi	Liters per Day	Liters per Hour	Milliliters per Hour	Milliliters per Minute	Pressure bar
E10FXA	A	White	7.4	0.31	39.5	0.66	25	28.0	1.17	1166.7	19.44	1.7
E10FXB	B	White	14.0	0.58	74.7	1.24	25	52.9	2.20	2204.2	36.74	1.7
E20FXB	B	White	24.8	1.03	132.3	2.20	25	93.7	3.90	3904.2	65.07	1.7
E20FXC	C	White	38.8	1.62	206.9	3.45	25	146.7	6.11	6112.5	101.88	1.7
E10FXH	H	Black	14.0	0.58	74.7	1.24	80	52.9	2.20	2204.2	36.74	5.5
E20FXH	H	Black	23.5	0.98	125.3	2.09	80	88.8	3.70	3700.0	61.67	5.5

Approximate Output @ 50/60Hz

ECON VX Variable Speed - Flow Rate Outputs

Item Number Prefix	Pump Tube	Roller Assembly	Gallons per Day	Gallons per Hour	Ounces per Hour	Ounces per Minute	Pressure psi	Liters per Day	Liters per Hour	Milliliters per Hour	Milliliters per Minute	Pressure bar
E10VXA	A	White	0.8 to 7.4	0.003 to 0.310	0.4 to 39.5	0.01 to 0.66	25	3.0 to 28.0	0.13 to 1.17	125.0 to 1166.7	2.08 to 19.44	1.7
E10VXB	B	White	1.2 to 14.0	0.05 to 0.58	6.4 to 74.7	0.11 to 1.24	25	4.5 to 52.9	0.19 to 2.20	188.0 to 2204.2	3.13 to 36.74	1.7
E20VXB	B	White	1.6 to 24.8	0.07 to 1.03	8.6 to 132.3	0.39 to 2.20	25	6.0 to 93.7	0.25 to 3.90	250.0 to 3904.2	4.17 to 65.07	1.7
E20VXC	C	White	4.4 to 38.8	0.18 to 1.62	23.4 to 206.9	0.39 to 3.45	25	16.6 to 146.7	0.69 to 6.11	692.0 to 6112.5	11.53 to 101.88	1.7
E10VXH	H	Black	1.7 to 14.0	0.07 to 0.58	9.1 to 74.7	0.15 to 1.24	80	6.4 to 52.9	0.27 to 2.20	267.0 to 2204.2	4.45 to 36.74	5.5
E20VXH	H	Black	2.7 to 23.5	0.11 to 0.98	14.5 to 125.3	0.24 to 2.09	80	10.2 to 88.8	0.43 to 3.70	425.0 to 3700.0	7.08 to 61.67	5.5

Approximate Output @ 50/60Hz

To Order, Build Pump Item Number
Insert item number prefix and code for each specification.

code	Voltage & Hertz	code	Suction & Discharge Tubing
A	120V 60Hz	1	1/4" White
B	220V 60Hz	2	1/4" UV Black
C	230V 50Hz <i>International</i>	5	6 mm White <i>Europe</i>

Contact the factory for additional voltage and plug options. O.D. does not affect output.

OPTIONAL

To order **Tank System**, insert code before pump item number.

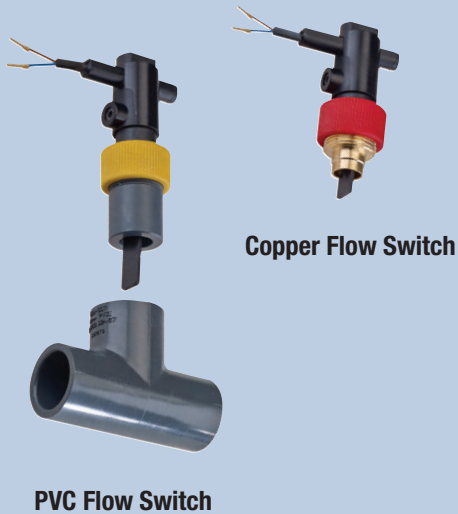
code	Tank System
S7G	7.5-Gallon UV Gray
S7N	7.5-Gallon White
S1G	15-Gallon UV Gray
S1N	15-Gallon White
S3G	30-Gallon UV Gray
S3N	30-Gallon White

NOTE: Injection check valve included with pumps rated 80 psi (5.5 bar) maximum.

NOTICE: The information within this chart is solely intended for use as a guide. The output data is an approximation based on pumping water under a controlled testing environment. Many variables can affect the output of the pump. Stenner Pump Company recommends that all metering pumps undergo field calibration by means of analytical testing to confirm their outputs.

FLOW SWITCH

Two Wire | Dry Contact



Specifications

Switching Function Contact closes at increasing flow, opens at decreasing flow

Pressure Rating Maximum 145 psi*

Medium Temperature
Maximum +212°F (+100°C)

Ambient Temperature Maximum
+158°F (+70°C)

Protection Class IP 65

Switching Current Maximum 1A

Switching Voltage Maximum 230VAC, 48VDC

Switching Capacity Maximum 26VA, 20W

Materials of Construction

Body/Paddle System PPO Noryl GFN3

Adapter

PVC: Glue-in

Copper: Brass, soldering

Gasket EPDM

Magnet Hard Ferrite

Cable PVC

Agency Listings

- cETLus Component Recognized
- UL 508
- UL 353
- CSA C22.2#14-05
- Water Regulations Advisory Scheme

* Values for flow switch, observe maximum values of PVC slip fit tee or maximum values of copper pipe.

How It Works

In residential or light commercial applications, water treatment professionals can use a metering pump activated by a flow switch for applications such as disinfection, oxidation or pH adjustment. Stenner offers a dry contact, two wire flow switch for a PVC tee or copper pipe. Both are a paddle style with glass fiber reinforced plastic construction. The design uses a magnetic force to reset the paddle to eliminate spring fatigue. Stenner's Econ FP or Econ Integrator™ pumps are designed to interface with a two wire flow switch that accepts a dry contact.

Features

The flow switch for PVC includes a glue-in adapter for easy mounting to a standard PVC slip fit tee. The flow switch for copper has an adapter for soldering to copper pipe. The nominal activation points are based on installation into a Spears 3/4" or 1" schedule 80 PVC tee or an industry standard, smooth 3/4" or 1" copper pipe. The activation points are 1.2 gallons per minute for 3/4" and 1.9 gallons per minute for the 1" flow switch. A wiring harness is included with the Econ FP and the Econ Integrator™ for an easy connection to the dry contact flow switch.

FLOW SWITCH

DESCRIPTION	ITEM NUMBER
3/4" for PVC pipe	EC500
1" for PVC pipe	EC501
3/4" for copper pipe	EC50C
1" for copper pipe	EC51C

WATER METER

Plastic | Dry Contact



Plastic Water Meter

Flow Rates*

SIZE	FLOW RATE GPM	PULSES PER GALLON			
3/4"	0.25 to 22	1	2	4	10
1"	0.75 to 50	1	2	4	10
1 1/2"	2.0 to 100	1	2	4	n/a

* Continuous Flow: The meter size should be selected based upon continuous flow, gpm, as opposed to pipe size.

Specifications

Accuracy $\pm 2\%$ when operating between minimum and maximum flow range

Temperature Range 35-122°F (1.7-50°C)

Pressure Ratings 15-100 psi (1.0-6.9 bar)

Maximum Current 20mA

Maximum Voltage 24VDC or 24VAC

Sensor Reed Switch

Cable Length 6 ft (1.8 m)

Materials of Construction

Body** Engineered reinforced plastic (nylon)

Internal Engineered thermoplastic

Magnet Alnico

** 1 1/2" meter may include plastic or lead free stainless steel couplings.

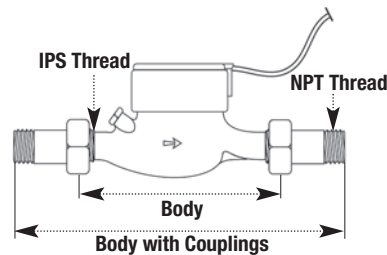
How It Works

The plastic water meter doesn't require power and utilizes a reed switch to provide a pulsing dry contact signal. The meter is certified by IAPMO to ANSI/NSF 372, low lead.

The 3/4" or 1" meter is included with the Econ or M128 Meter Systems. The 3/4" meter is included with the Proportional Injection System. Purchase the meter and other components separately to create your own proportional feed installation.

Weights and Dimensions

Size	Shipping Weight	Body	Body with Couplings	IPS Thread	NPT Thread
3/4"	2.2 lbs (0.9 kg)	7.5" (19.1 cm)	11.5" (29.2 cm)	1"	0.75"
1"	2.8 lbs (1.4 kg)	10.25" (26.0 cm)	15.25" (38.7 cm)	1.25"	1"
1 1/2"	5.7 lbs (2.7 kg)	9.63" (24.4 cm)	14.75" (37.5 cm)	2"	1.5"



PLASTIC WATER METER

SIZE	PULSES PER GALLON	ITEM NUMBER
3/4"	1 pulse/gallon	JLP0750-1PPG
3/4"	2 pulses/gallon	JLP0750-2PPG
3/4"	4 pulses/gallon	JLP0750-4PPG
3/4"	10 pulses/gallon	JLP0750-10PPG
1"	1 pulse/gallon	JLP1000-1PPG
1"	2 pulses/gallon	JLP1000-2PPG
1"	4 pulses/gallon	JLP1000-4PPG
1 1/2"	1 pulse/gallon	JLP1500-1PPG
1 1/2"	2 pulses/gallon	JLP1500-2PPG
1 1/2"	4 pulses/gallon	JLP1500-4PPG



Stainless Steel Water Meter

Flow Rates

Continuous Flow* 80 gallons per minute

Flow Range 1-160 gallons per minute

Pulses per Gallon 1, 2, 4

* The size of the meter should be based upon continuous flow and gallons per minute as opposed to pipe size.

Specifications

Accuracy $\pm 1.5\%$ of maximum flow when operating between minimum and maximum flow range

Maximum Operating Pressure 150 psi (10.3 bar)

pH Level Range 6.5-8.0

Temperature Range 35-122°F (1.7-50°C)

Protect the meter from freezing

Maximum Current 20mA

Maximum Voltage 24VDC or 24VAC

Sensor Reed switch, dry contact type, normally open

Cable Length 6 ft (1.8 m)

Register US gallons

Materials of Construction

Body Stainless steel

Internal Engineered thermoplastic

Magnet Alnico

How It Works

The stainless steel water meter doesn't require power and utilizes a reed switch to provide a pulsing dry contact signal. The meter is certified by IAPMO to ANSI/NSF 372, low lead.

Purchase the meter and other components separately to create your own proportional feed installation.

Weights and Dimensions

Shipping Weight 12 lbs (5.4 kg)

Box Dimensions 13 x 10 x 9 in. (33 x 25 x 23 cm)

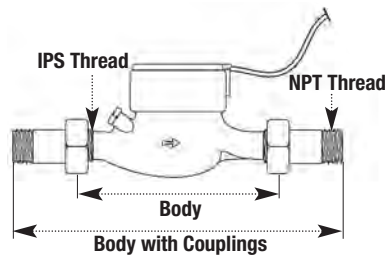
Product Dimensions

Body: 11.9 in. (30.1 cm)

Body with Couplings: 17.5 in. (44.5 cm)

IPS Thread: 2.5 in. (6.4 cm)

NPT Thread: 2.0 in. (5.1 cm)



STAINLESS STEEL WATER METER

SIZE	PULSE PER GALLON	ITEM NUMBER
2"	1 pulse/gallon	SSMRS20-1PPG
2"	2 pulses/gallon	SSMRS20-2PPG
2"	4 pulses/gallon	SSMRS20-4PPG

NOTE: Two week lead time for non-stocked meters. Contact factory to confirm availability.

WATER METER

Vertical Positive Displacement



VPD Water Meter

Flow Rates

Continuous Flow* 16 gallons per minute

Flow Range 0.1-22 gallons per minute

* The size of the meter should be based upon continuous flow and gallons per minute as opposed to pipe size.

Specifications

Accuracy $\pm 2\%$ of maximum flow when operating between minimum and maximum flow range

Maximum Operating Pressure 150 psi (10.3 bar)

Temperature Range 35-122°F (1.7-50°C)

Protect the meter from freezing

Maximum Current 20mA

Maximum Voltage 24VDC or 24VAC

Sensor Reed switch, dry contact type, normally open

Cable Length 6 ft (1.8 m)

Register US gallons or liters

Materials of Construction

Body Engineered reinforced plastic (nylon)

Internal Engineered thermoplastic

How It Works

The vertical positive displacement, oscillating piston, water meter doesn't require power and utilizes a reed switch to provide a pulsing dry contact signal. Although designed for vertical installation, the meter can be installed horizontally or on an incline, provided the meter remains full of water. The meter has a built-in back flow preventer and is housed in an engineered plastic with corrosion resistant liquid-sealed register for easy reading.

Weights and Dimensions

Shipping Weight 1.8 lbs (0.8 kg)

Box Dimensions 13 x 10 x 9 in. (33 x 25 x 23 cm)

Product Dimensions

Body: 6.5 in. (16.51 cm)

Body with Couplings: 10.5 in. (26.67 cm)

IPS Thread: 1.0 in. (2.54 cm)

NPT Thread: 0.75 in. (1.9 cm)

VERTICAL POSTIVE DISPLACEMENT WATER METER

SIZE	PULSE PER GALLON	ITEM NUMBER
3/4"	1 pulse/gallon	VPD0750-1PPG
3/4"	1 pulse/liter	VPD0750-1PPL

NOTE: Two week lead time for non-stocked meters. Contact factory to confirm availability.

TANKS

7.5, 15, 30 Gallon | UV Gray | Translucent White



7.5-Gallon (28.4 Liters)



15-Gallon (56.8 Liters)



30-Gallon (113.6 Liters)

Materials of Construction

Tank Polyethylene

Lid with child resistant lock Polypropylene

Grommets Viton

Screws Stainless steel

Agency Listings



Quick Facts

- UV resistant gray or translucent white
- 7.5, 15 or 30 gallon
- Child resistant lid
- Polyethylene construction
- Lightweight

Weights and Dimensions

Tank Size	Shipping Weight	Box Dimensions
7.5-Gallon	15 lbs (6.8 kg)	23 x 23 x 21 in. (58 x 58 x 54 cm)
15-Gallon	18 lbs (8.2 kg)	23 x 23 x 27 in. (58 x 58 x 66 cm)
30-Gallon	24 lbs (10.8 kg)	23 x 23 x 39 in. (58 x 58 x 97 cm)

Product Dimensions

7.5-Gallon: 20.5 OD x 19.6 in. (52.1 OD x 49.9 cm)

15-Gallon: 20.5 OD x 25.3 in. (52.1 OD x 64.1 cm)

30-Gallon: 20.5 OD x 37.5 in. (52.1 OD x 95.3 cm)

TANKS

DESCRIPTION	WORKS WITH	ITEM NUMBER
7.5-Gallon Gray	Classic 45, 85 / M128 / All Econ Pumps*	STS7GC
7.5-Gallon White	Classic 45, 85 / M128 / All Econ Pumps*	STS7NC
15-Gallon Gray	Classic 45, 85 / M128 / All Econ Pumps*	STS15GC
15-Gallon White	Classic 45, 85 / M128 / All Econ Pumps*	STS15NC
30-Gallon Gray	Classic 45, 85 / M128 / All Econ Pumps*	STS30GC
30-Gallon White	Classic 45, 85 / M128 / All Econ Pumps*	STS30NC
7.5-Gallon Gray	SVP Series	STS7G-02
7.5-Gallon White	SVP Series	STS7N-02
15-Gallon Gray	SVP Series	STS15G-02
15-Gallon White	SVP Series	SSTS15N-02
30-Gallon Gray	SVP Series	STS30G-02
30-Gallon White	SVP Series	STS30N-02

* Econ Mounting Kit [EC303](#) required and sold separately on page 60.

TANK SYSTEM

Pump and Tank Pre-Assembled System



7.5-Gallon (28.4 Liters)



15-Gallon (56.8 Liters)



30-Gallon (113.6 Liters)

Materials of Construction

Tank Polyethylene

Lid with child resistant lock Polypropylene

Grommets Viton

Screws Stainless steel

Agency Listings



How It Works

The Tank System consists of a tank and pump. The system is factory assembled with your pump choice: Classic single head adjustable or fixed, M128 or Econ, and your tank choice: 7.5, 15, 30 gallon, in white or UV resistant gray.

Features

- Pump is vertically mounted for solution containment
- Child resistant lid
- Polyethylene construction is lightweight and rugged



Rain Roof (Classic Series only)

Vertical mount over containment basin

Child Resistant Lid

Level Indicators

Weights and Dimensions

Tank Size	Shipping Weight			Box Dimensions
	Classic Adjustable or M128	Classic Fixed	Econ	
7.5-Gallon	24 lbs (10.9 kg)	23 lbs (10.4 kg)	19 lbs (8.6 kg)	23 x 23 x 21 in. (58 x 58 x 54 cm)
15-Gallon	27 lbs (12.2 kg)	26 lbs (11.8 kg)	22 lbs (10.0 kg)	23 x 23 x 27 in. (58 x 58 x 66 cm)
30-Gallon	34 lbs (15.4 kg)	32 lbs (14.5 kg)	27 lbs (12.2 kg)	23 x 23 x 39 in. (58 x 58 x 97 cm)

NOTE: Build a Tank System item number on pages 4, 5, 16, 19, 22, 25, 29, 34, 37.

Product Dimensions

7.5-Gallon: 20.5 OD x 19.6 in. (52.1 OD x 49.8 cm)

15-Gallon: 20.5 OD x 25.3 in. (52.1 OD x 64.1 cm)

30-Gallon: 20.5 OD x 37.5 in. (52.1 OD x 95.3 cm)

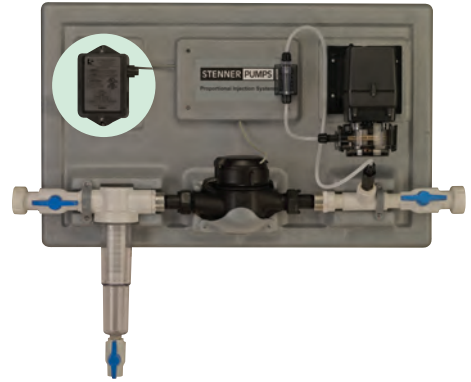


PCM

Potentiometer

How It Works

The PCM is a time adjustable controller utilized with the Classic Series Single Head Fixed Output Pump and a pulsing dry contact water meter for applications requiring proportional injection. The water meter sends a signal to the PCM and the PCM actuates the pump to deliver the desired dose based on water volume. The PCM is a component in Stenner's Proportional Injection System.

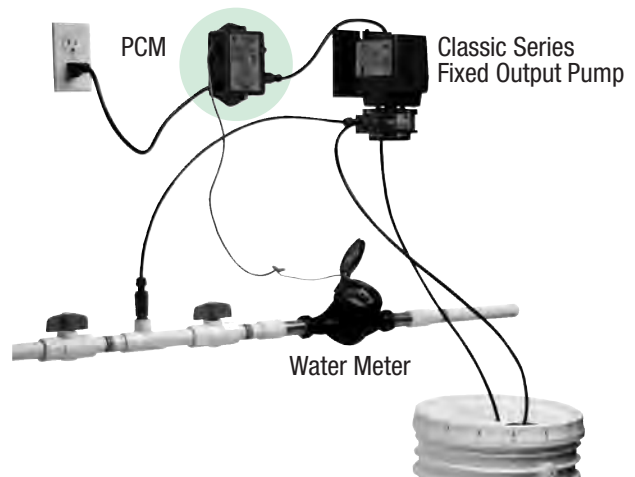


Features

- Chemical resistant ABS plastic housing
- On-time duration set with knob adjustment with locking feature
- 10' power cord and jacketed signal input cable

Customize Your Own Proportional Feed Installation

Purchase a Classic Series Single Head Fixed Output Pump, a PCM and water meter to create your own proportional feed installation.



Materials of Construction

Housings Polycarbonate

Timer Microcontroller with triac output

Turndown Ratio 10:1

Input Signal Non-voltage dry contact water meter

Reset Time Immediate

Minimum Signal Durations 10 milliseconds

Input Electrical 120V 60Hz

No Load Current 0.45mA AC maximum

Output Electrical

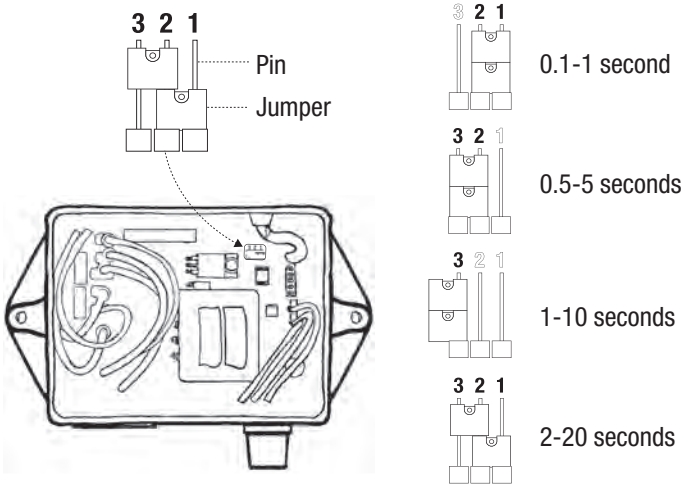
Maximum device load, 1.8 amp at 120V

Agency Listings



Interchangeable Operating Range Settings

The PCM's operating range can be converted by changing the position of the jumpers on the circuit board so another model doesn't have to be purchased.

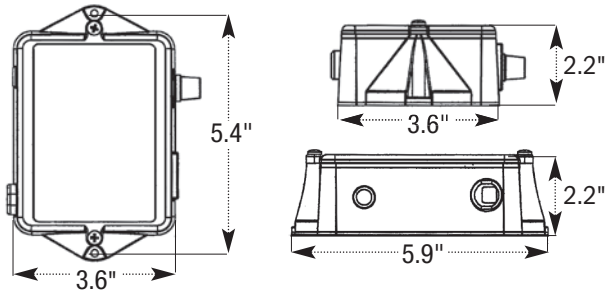


Weights and Dimensions

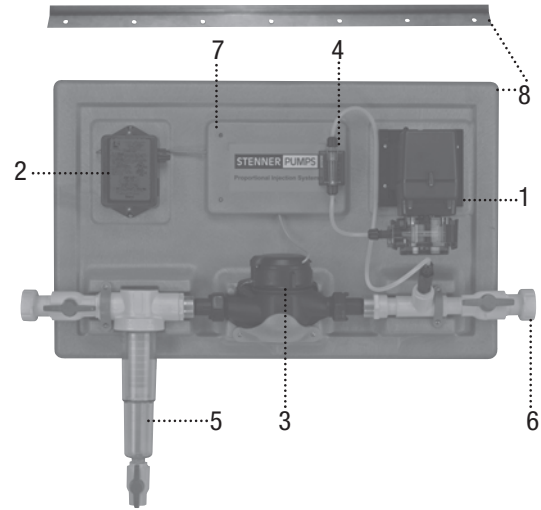
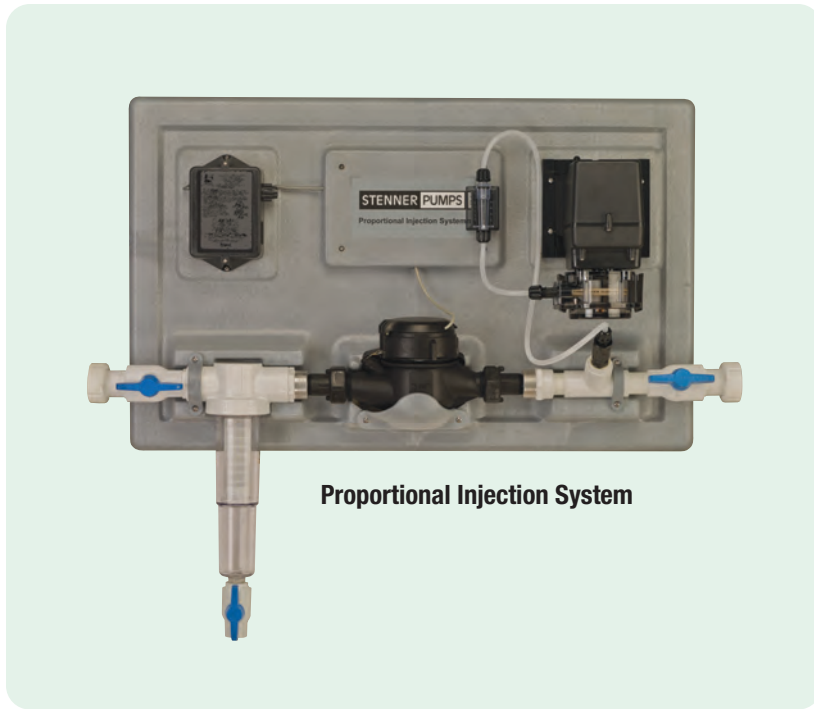
Shipping Weight 2.1 lbs (1 kg)

Box Dimensions 9 x 9 x 7 in. (23 x 23 x 18 cm)

Product Dimensions



PCM	
OPERATING RANGE	ITEM NUMBER
0.1 to 1.0 Second	PCM1
0.5 to 5.0 Seconds	PCM5
1.0 to 10.0 Seconds	PCM10
2.0 to 20.0 Seconds	PCM20



Proportional Metering in a Pre-Assembled System

The Proportional Injection System injects solution in proportion to the system's flow rate based on water volume. The water meter sends a signal to the PCM which actuates the pump. Components are pre-mounted to a heavy duty panel for quick installation and convenient equipment accessibility.

The system is suited for constant pressure (variable speed) well pumps, poultry and livestock houses, irrigation, systems with demand based backup wells and any application with varying flow rates.

Components

- 1 Classic Series Single Head Fixed Output Pump
- 2 PCM
- 3 Plastic 3/4" dry contact water meter, certified by the Water Quality Association to ANSI/NSF 372, low lead
- 4 Flow Indicator to confirm pump is operating
- 5 Filter with 30 and 100 mesh screens
- 6 Unions for easy installation and removal
- 7 Cabinet keeps cords and wires contained
- 8 Heavy duty panel and wall mounting bracket

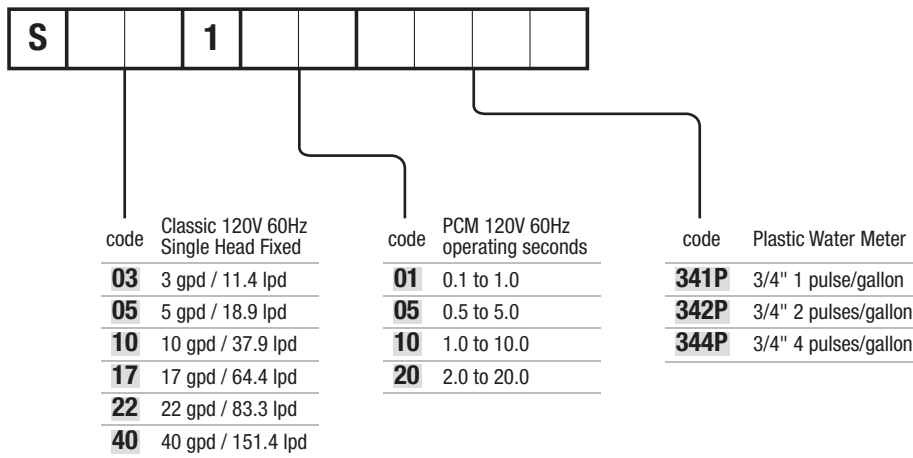
Weights and Dimensions

Shipping Weight 29 lbs (13.2 kg)

Box Dimensions 36 x 23 x 12 in. (91 x 59 x 29 cm)

To Order, Build System Item Number

Insert code for each component selected.



Specifications

Flow Rate Output Control Water meter and PCM

Voltage 120V 60Hz

Materials of Construction

Panel & Panel Fittings Polyethylene

Mounting Hardware Stainless steel

Piping and Associated Fittings PVC

Water Meter Plastic lead free (certified with WQA/ANSI-372)

Filter PVC with polycarbonate cover and two polyester screens 30 and 100 mesh

NOTE: PVC connections are socket weld union 3/4" connections. Two 1" to 3/4" reducer couplings are included in the accessory kit to allow unit to adapt to 1" piping systems.

PUMP TUBES



Refer to the **FLOW RATE OUTPUTS** chart to match the pump with the correct tube

PUMP TUBE Includes ferrules 1/4"

DESCRIPTION	WORKS WITH	2-PK	5-PK
#1 Santoprene® Tube	Classic / SVP / S Series	UCCP201	MCCP201
#2 Santoprene® Tube	Classic / SVP / S Series	UCCP202	MCCP202
#3 Santoprene® Tube	Classic / SVP / S Series	UCCP203	MCCP203
#4 Santoprene® Tube	Classic / SVP / S Series	UCCP204	MCCP204
#5 Santoprene® Tube	Classic / SVP / S Series / M128 M05	UCCP205	MCCP205
#7 Santoprene® Tube	Classic 45, 85 / SVP / S Series / M128 M07	UCCP207	MCCP207
#1 Versilon® Tube	Classic / SVP / S Series	UCTYG01	MCTYG01
#2 Versilon® Tube	Classic / SVP / S Series	UCTYG02	MCTYG02
#3 Versilon® Tube	Classic / SVP / S Series	UCTYG03	MCTYG03
#4 Versilon® Tube	Classic / SVP / S Series	UCTYG04	MCTYG04
#5 Versilon® Tube	Classic / SVP / S Series	UCTYG05	MCTYG05

PUMP TUBE *EUROPE* Includes ferrules 6 mm

DESCRIPTION	WORKS WITH	2-PK	5-PK
#1 Santoprene® Tube	Classic / SVP / S Series	UCCP21CE	MCCP21CE
#2 Santoprene® Tube	Classic / SVP / S Series	UCCP22CE	MCCP22CE
#3 Santoprene® Tube	Classic / SVP / S Series	UCCP23CE	MCCP23CE
#4 Santoprene® Tube	Classic / SVP / S Series	UCCP24CE	MCCP24CE
#5 Santoprene® Tube	Classic / SVP / S Series	UCCP25CE	MCCP25CE
#7 Santoprene® Tube	Classic 45, 85 / SVP / S Series	UCCP27CE	MCCP27CE
#1 Versilon® Tube	Classic / SVP / S Series	UCTY1CE	MCTY1CE
#2 Versilon® Tube	Classic / SVP / S Series	UCTY2CE	MCTY2CE
#3 Versilon® Tube	Classic / SVP / S Series	UCTY3CE	MCTY3CE
#4 Versilon® Tube	Classic / SVP / S Series	UCTY4CE	MCTY4CE
#5 Versilon® Tube	Classic / SVP / S Series	UCTY5CE	MCTY5CE

PUMP TUBE & DUCKBILL Includes ferrules 1/4"

DESCRIPTION	WORKS WITH	2-PK
#1 Santoprene® Tube & Duckbill	Classic / SVP / S Series	UCCP1FD
#2 Santoprene® Tube & Duckbill	Classic / SVP / S Series	UCCP2FD
#7 Santoprene® Tube & Duckbill	Classic 45, 85 / SVP / S Series / M128 M07	UCCP7FD
#1 Versilon® Tube & Pellethane® Duckbill	Classic / SVP / S Series	UCTY1FD
#2 Versilon® Tube & Pellethane® Duckbill	Classic / SVP / S Series	UCTY2FD

PUMP TUBE & DUCKBILL *EUROPE* Includes ferrules 6 mm

DESCRIPTION	WORKS WITH	2-PK
#1 Santoprene® Tube & Duckbill	Classic / SVP / S Series	UC1FDCE
#2 Santoprene® Tube & Duckbill	Classic / SVP / S Series	UC2FDCE
#7 Santoprene® Tube & Duckbill	Classic 45, 85 / SVP / S Series	UC7FDCE
#1 Versilon® Tube & Pellethane® Duckbill	Classic / SVP / S Series	UCTY1DCE
#2 Versilon® Tube & Pellethane® Duckbill	Classic / SVP / S Series	UCTY2DCE

NOTE: Confirm material compatibility with the chemical resistance guide in this catalog.

PUMP TUBES



Refer to the **FLOW RATE OUTPUTS** chart to match the pump with the correct tube

PUMP TUBE Includes ferrules 1/4"

DESCRIPTION	WORKS WITH Pump & Roller Assembly Color	2-PK	5-PK
A Santoprene® Tube	Econ T / FX / VX & White	EC30A-2	EC30A-5
B Santoprene® Tube	Econ T / FX / VX & White	EC30B-2	EC30B-5
C Santoprene® Tube	Econ T / FX / VX & White	EC30C-2	EC30C-5
C3 FKM Tube	Econ TD Electric & Black / Econ TD Battery & Blue	EC3C3-2	EC3C3-5
C4 Silicone Tube	Econ TD Battery & Blue	EC3C4-2	EC3C4-5
F Santoprene® Tube	Econ FP / Integrator™ / LD / T & White	EC30F-2	EC30F-5
G Santoprene® Tube	Econ FP / Integrator™ / LD / T & Black	EC30G-2	EC30G-5
H Santoprene® Tube	Econ FP / Integrator™ / Stennicator / LD / T / FX / VX & Black	EC30H-2	EC30H-5
M Santoprene® Tube	Econ FP / Integrator™ / LD & White	EC30M-2	EC30M-5

PUMP TUBE EUROPE Includes ferrules 6 mm

DESCRIPTION	WORKS WITH Pump & Roller Assembly Color	2-PK	5-PK
A Santoprene® Tube	Econ T / FX / VX & White	EC30ACE-2	EC30ACE-5
B Santoprene® Tube	Econ T / FX / VX & White	EC30BCE-2	EC30BCE-5
C Santoprene® Tube	Econ T / FX / VX & White	EC30CCE-2	EC30CCE-5
C3 FKM Tube	Econ TD Electric & Black / Econ TD Battery & Blue	EC3C3CE-2	EC3C3CE-5
C4 Silicone Tube	Econ TD Battery & Blue	EC3C4CE-2	EC3C4CE-5
F Santoprene® Tube	Econ FP / Integrator™ / LD / T & White	EC30FCE-2	EC30FCE-5
G Santoprene® Tube	Econ FP / Integrator™ / LD / T & Black	EC30GCE-2	EC30GCE-5
H Santoprene® Tube	Econ FP / Integrator™ / Stennicator / LD / T / FX / VX & Black	EC30HCE-2	EC30HCE-5
M Santoprene® Tube	Econ FP / Integrator™ / LD & White	EC30MCE-2	EC30MCE-5

NOTE: Confirm material compatibility with the chemical resistance guide in this catalog.

PUMP HEADS

25 psi | 1.7 bar



The QuickPro® pump head provides **tube replacement without tools** with a collapsible roller assembly and a tube housing cover attached with latches.

PUMP HEAD 25 psi maximum Includes tube, ferrules 1/4"

DESCRIPTION	WORKS WITH	EA	2-PK
#1 Santoprene® Pump Head	Classic / SVP	QP251-1	QP251-2
#2 Santoprene® Pump Head	Classic / SVP	QP252-1	QP252-2
#3 Santoprene® Pump Head	Classic / SVP	QP253-1	QP253-2
#3 Santoprene® Pump Head with Spline ★	S Series	S3103-1	S3103-2
#4 Santoprene® Pump Head	Classic / SVP	QP254-1	QP254-2
#4 Santoprene® Pump Head with Spline ★	S Series	S3104-1	S3104-2
#5 Santoprene® Pump Head	Classic / SVP / M128 M05	QP255-1	QP255-2
#5 Santoprene® Pump Head with Spline ★	S Series	S3105-1	S3105-2
#1 Versilon® Pump Head	Classic / SVP	QP25T1-1	—
#2 Versilon® Pump Head	Classic / SVP	QP25T2-1	—
#3 Versilon® Pump Head	Classic / SVP	QP25T3-1	—
#3 Versilon® Pump Head with Spline ★	S Series	S3203-1	—
#4 Versilon® Pump Head	Classic / SVP	QP25T4-1	—
#4 Versilon® Pump Head with Spline ★	S Series	S3204-1	—
#5 Versilon® Pump Head	Classic / SVP	QP25T5-1	—
#5 Versilon® Pump Head with Spline ★	S Series	S3205-1	—

★ Includes leak detect, S Series only

PUMP HEAD 1.7 bar maximum EUROPE Includes tube, ferrules 6 mm

DESCRIPTION	WORKS WITH	EA	2-PK
#1 Santoprene® Pump Head	Classic / SVP	QP171-1	QP171-2
#2 Santoprene® Pump Head	Classic / SVP	QP172-1	QP172-2
#3 Santoprene® Pump Head	Classic / SVP	QP173-1	QP173-2
#3 Santoprene® Pump Head with Spline ★	S Series	S3153-1	S3153-2
#4 Santoprene® Pump Head	Classic / SVP	QP174-1	QP174-2
#4 Santoprene® Pump Head with Spline ★	S Series	S3154-1	S3154-2
#5 Santoprene® Pump Head	Classic / SVP	QP175-1	QP175-2
#5 Santoprene® Pump Head with Spline ★	S Series	S3155-1	S3155-2
#1 Versilon® Pump Head	Classic / SVP	QP17T1-1	—
#2 Versilon® Pump Head	Classic / SVP	QP17T2-1	—
#3 Versilon® Pump Head	Classic / SVP	QP17T3-1	—
#3 Versilon® Pump Head with Spline ★	S Series	S3253-1	—
#4 Versilon® Pump Head	Classic / SVP	QP17T4-1	—
#4 Versilon® Pump Head with Spline ★	S Series	S3254-1	—
#5 Versilon® Pump Head	Classic / SVP	QP17T5-1	—
#5 Versilon® Pump Head with Spline ★	S Series	S3255-1	—

★ Includes leak detect, S Series only

NOTE: Confirm material compatibility with the chemical resistance guide in this catalog.

PUMP HEADS

100 psi | 6.9 bar



The QuickPro® pump head provides **tube replacement without tools** with a collapsible roller assembly and a tube housing cover attached with latches.

PUMP HEAD 100 psi maximum Includes tube, duckbill, ferrules 1/4"

DESCRIPTION	WORKS WITH	EA	2-PK
#1 Santoprene® Pump Head	Classic / SVP	QP101-1	—
#1 Santoprene® Pump Head with Spline ★	S Series	S3101-1	S3101-2
#2 Santoprene® Pump Head	Classic / SVP	QP102-1	—
#2 Santoprene® Pump Head with Spline ★	S Series	S3102-1	S3102-2
#7 Santoprene® Pump Head	Classic 45, 85 / SVP / M128 M07	QP107-1	—
#7 Santoprene® Pump Head with Spline ★	S Series	S3107-1	S3107-2
#1 Versilon® Pump Head	Classic / SVP	QP10T1-1	—
#1 Versilon® Pump Head with Spline ★	S Series	S3201-1	—
#2 Versilon® Pump Head	Classic / SVP	QP10T2-1	—
#2 Versilon® Pump Head with Spline ★	S Series	S3202-1	—

PUMP HEAD 6.9 bar maximum *EUROPE* Includes tube, duckbill, ferrules 6 mm

DESCRIPTION	WORKS WITH	EA	2-PK
#1 Santoprene® Pump Head	Classic / SVP	QP691-1	—
#1 Santoprene® Pump Head with Spline ★	S Series	S3151-1	S3151-2
#2 Santoprene® Pump Head	Classic / SVP	QP692-1	—
#2 Santoprene® Pump Head with Spline ★	S Series	S3152-1	S3152-2
#7 Santoprene® Pump Head	Classic 45, 85 / SVP	QP697-1	—
#7 Santoprene® Pump Head with Spline ★	S Series	S3157-1	S3157-2
#1 Versilon® Pump Head	Classic / SVP	QP69T1-1	—
#1 Versilon® Pump Head with Spline ★	S Series	S3251-1	—
#2 Versilon® Pump Head	Classic / SVP	QP69T2-1	—
#2 Versilon® Pump Head with Spline ★	S Series	S3252-1	—

★ Includes leak detect, S Series only

NOTE: Confirm material compatibility with the chemical resistance guide in this catalog.

INNERMOST PUMP HEADS



The Innermost pump head is next to the motor in the Classic Series Double Head pump.

INNERMOST PUMP HEAD 25 psi maximum Includes tube, ferrules 1/4"

DESCRIPTION	WORKS WITH	EA	2-PK
#1 Santoprene® Innermost Pump Head	Classic 100, 170	QPA251-1	QPA251-2
#2 Santoprene® Innermost Pump Head	Classic 100, 170	QPA252-1	QPA252-2
#3 Santoprene® Innermost Pump Head	Classic 100, 170	QPA253-1	QPA253-2
#4 Santoprene® Innermost Pump Head	Classic 100, 170	QPA254-1	QPA254-2
#5 Santoprene® Innermost Pump Head	Classic 100, 170	QPA255-1	QPA255-2

INNERMOST PUMP HEAD 1.7 bar maximum *EUROPE* Includes tube, ferrules 6 mm

DESCRIPTION	WORKS WITH	EA	2-PK
#1 Santoprene® Innermost Pump Head	Classic 100, 170	QPA171-1	QPA171-2
#2 Santoprene® Innermost Pump Head	Classic 100, 170	QPA172-1	QPA172-2
#3 Santoprene® Innermost Pump Head	Classic 100, 170	QPA173-1	QPA173-2
#4 Santoprene® Innermost Pump Head	Classic 100, 170	QPA174-1	QPA174-2
#5 Santoprene® Innermost Pump Head	Classic 100, 170	QPA175-1	QPA175-2

INNERMOST PUMP HEAD 100 psi maximum Includes tube, duckbill, ferrules 1/4"

DESCRIPTION	WORKS WITH	EA	2-PK
#1 Santoprene® Innermost Pump Head	Classic 100, 170	QPA101-1	QPA101-2
#2 Santoprene® Innermost Pump Head	Classic 100, 170	QPA102-1	QPA102-2

INNERMOST PUMP HEAD 6.9 bar maximum *EUROPE* Includes tube, duckbill, ferrules 6 mm

DESCRIPTION	WORKS WITH	EA	2-PK
#1 Santoprene® Innermost Pump Head	Classic 100, 170	QPA691-1	QPA691-2
#2 Santoprene® Innermost Pump Head	Classic 100, 170	QPA692-1	QPA692-2

NOTE: Confirm material compatibility with the chemical resistance guide in this catalog.

PUMP HEAD PARTS



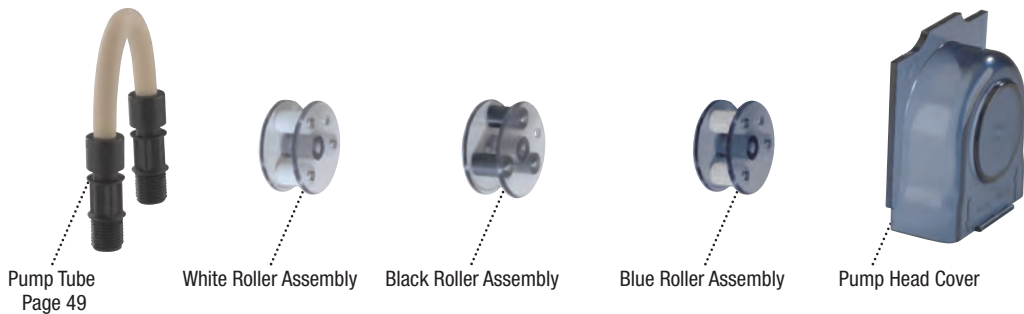
PUMP HEAD PARTS

DESCRIPTION	WORKS WITH	EA	2-PK	4-PK
Tube Housing with Latches	Classic / SVP / M128	QP400-1	QP400-2	—
Tube Housing with Latches ★	S Series	S3400-1	S3400-2	—
Latches	Classic / SVP / S Series / M128	—	QP401-2	—
Roller Assembly	Classic / SVP / M128	QP500-1	—	QP500-4
Roller Assembly with Spline ★	S Series	S3500-1	—	S3500-4
Rollers, Arms, Bushings and Screws	Classic / SVP / S Series / M128	QP501-3	—	—
Tube Housing Cover with Bushing	Classic / SVP / M128	QP100-1	—	QP100-4
Tube Housing Cover with Bushing ★	S Series	S3600-1	—	S3600-4

★ Includes leak detect, S Series only

INNERMOST PUMP HEAD PARTS Classic Series Double Head

DESCRIPTION	WORKS WITH	EA	2-PK
Tube Housing Cover	Classic 100, 170	QP10A-1	QP10A-2
Roller Assembly	Classic 100, 170	QP50A-1	—

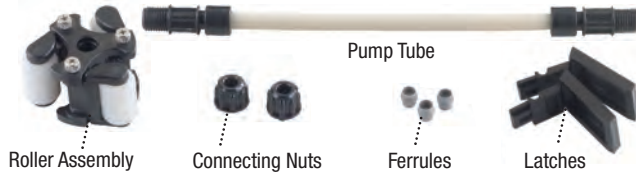


PUMP HEAD PARTS

DESCRIPTION	WORKS WITH Pump & Tube Combination	EA
Roller Assembly, White	Econ FP & F or M	EC350
	Econ FX & A, B or C	
	Econ Integrator™ & F or M	
Roller Assembly, Black	Econ LD & F or M	EC351
	Econ T & A, B, C or F	
	Econ VX & A, B or C	
	Econ FP & G or H	
	Econ FX & H	
Roller Assembly, Blue	Econ Integrator™ & G or H	EC352
	Econ Stennicator & H	
	Econ T & G or H	
Pump Head Cover	Econ TD Electric & C3	EC355
	Econ VX & H	
Roller Assembly, Blue	Econ LD & G or H	EC352
Pump Head Cover	Econ TD Battery & C3 or C4	EC355
	All Econ Pumps	

PUMP HEAD SERVICE KITS

25 psi | 1.7 bar



Refer to the **FLOW RATE OUTPUTS** chart to match the pump with the correct tube

PUMP HEAD SERVICE KIT 25 psi maximum Includes roller assembly, tube, nuts, ferrules 1/4", latches

DESCRIPTION	WORKS WITH	KIT
#1 Santoprene® Kit	Classic / SVP	QP251K
#2 Santoprene® Kit	Classic / SVP	QP252K
#3 Santoprene® Kit	Classic / SVP	QP253K
#3 Santoprene® Kit★	S Series	S3103K
#4 Santoprene® Kit	Classic / SVP	QP254K
#4 Santoprene® Kit★	S Series	S3104K
#5 Santoprene® Kit	Classic / SVP/ M128 M05	QP255K
#5 Santoprene® Kit★	S Series	S3105K
#1 Versilon® Kit	Classic / SVP	QP25T1K
#2 Versilon® Kit	Classic / SVP	QP25T2K
#3 Versilon® Kit	Classic / SVP	QP25T3K
#3 Versilon® Kit★	S Series	S3203K
#4 Versilon® Kit	Classic / SVP	QP25T4K
#4 Versilon® Kit★	S Series	S3204K
#5 Versilon® Kit	Classic / SVP	QP25T5K
#5 Versilon® Kit★	S Series	S3205K

★ Roller Assembly with Spline, S Series only

PUMP HEAD SERVICE KIT 1.7 bar maximum EUROPE Includes roller assembly, tube, nuts, ferrules 6 mm, latches

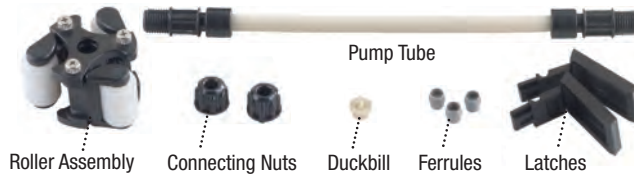
DESCRIPTION	WORKS WITH	KIT
#1 Santoprene® Kit	Classic / SVP	QP171K
#2 Santoprene® Kit	Classic / SVP	QP172K
#3 Santoprene® Kit	Classic / SVP	QP173K
#3 Santoprene® Kit★	S Series	S3113K
#4 Santoprene® Kit	Classic / SVP	QP174K
#4 Santoprene® Kit★	S Series	S3114K
#5 Santoprene® Kit	Classic / SVP	QP175K
#5 Santoprene® Kit★	S Series	S3115K
#1 Versilon® Kit	Classic / SVP	QP17T1K
#2 Versilon® Kit	Classic / SVP	QP17T2K
#3 Versilon® Kit	Classic / SVP	QP17T3K
#3 Versilon® Kit★	S Series	S3213K
#4 Versilon® Kit	Classic / SVP	QP17T4K
#4 Versilon® Kit★	S Series	S3214K
#5 Versilon® Kit	Classic / SVP	QP17T5K
#5 Versilon® Kit★	S Series	S3215K

★ Roller Assembly with Spline, S Series only

NOTE: Confirm material compatibility with the chemical resistance guide in this catalog.

PUMP HEAD SERVICE KITS

100 psi | 6.9 bar



Refer to the **FLOW RATE OUTPUTS** chart to match the pump with the correct tube

PUMP HEAD SERVICE KIT 100 psi maximum Includes roller assembly, tube, duckbill, nuts, ferrules 1/4", latches

DESCRIPTION	WORKS WITH	KIT
#1 Santoprene® Kit	Classic / SVP	QP101K
#1 Santoprene® Kit★	S Series	S3101K
#2 Santoprene® Kit	Classic / SVP	QP102K
#2 Santoprene® Kit★	S Series	S3102K
#7 Santoprene® Kit	Classic 45, 85 / SVP / M128 M07	QP107K
#7 Santoprene® Kit★	S Series	S3107K
#1 Versilon® Kit	Classic / SVP	QP10T1K
#1 Versilon® Kit★	S Series	S3201K
#2 Versilon® Kit	Classic / SVP	QP10T2K
#2 Versilon® Kit★	S Series	S3202K

★ Roller Assembly with Spline, S Series only

PUMP HEAD SERVICE KIT 6.9 bar maximum EUROPE Includes roller assembly, tube, duckbill, nuts, ferrules 6 mm, latches

DESCRIPTION	WORKS WITH	KIT
#1 Santoprene® Kit	Classic / SVP	QP691K
#1 Santoprene® Kit★	S Series	S3111K
#2 Santoprene® Kit	Classic / SVP	QP692K
#2 Santoprene® Kit★	S Series	S3112K
#7 Santoprene® Kit	Classic 45, 85 / SVP	QP697K
#7 Santoprene® Kit★	S Series	S3117K
#1 Versilon® Kit	Classic / SVP	QP69T1K
#1 Versilon® Kit★	S Series	S3211K
#2 Versilon® Kit	Classic / SVP	QP69T2K
#2 Versilon® Kit★	S Series	S3212K

★ Roller Assembly with Spline, S Series only

NOTE: Confirm material compatibility with the chemical resistance guide in this catalog.

CHECK VALVES and INJECTION PARTS



Injection Fitting with Nut & Ferrule 1/4"

INJECTION FITTINGS 25 psi maximum Includes nuts, ferrules 1/4"

DESCRIPTION	WORKS WITH	EA	5-PK
Injection Fitting	All Pumps	UCAK300	MCAK300

INJECTION FITTINGS 1.7 bar maximum EUROPE Includes nuts, ferrules 6 mm

DESCRIPTION	WORKS WITH	EA	5-PK
Injection Fitting	All Pumps	UCAK3CE	—



Injection Check Valve 1/4"



Injection Check Valve 3/8"

CHECK VALVES 100 psi maximum Includes duckbill, ferrules

DESCRIPTION	WORKS WITH	EA	5-PK
Includes Santoprene® Duckbill, Ferrule 1/4"	All Pumps	UCDBINJ	MCDBINJ
Includes Pellethane® Duckbill, Ferrule 1/4"	All Pumps	UCTYINJ	MCTYINJ
Includes FKM Duckbill, Ferrule 1/4"	All Pumps	UCKMINJ	MCKMINJ
Includes Santoprene® Duckbill, Ferrule 3/8"	All Pumps	UCINJ38	MCINJ38
Includes Pellethane® Duckbill, Ferrule 3/8"	All Pumps	UCTYIJ38	MCTYIJ38
Includes FKM Duckbill, Ferrule 3/8"	All Pumps	UCKMI38	MCKMI38
Injection Ball Check Valve 1/4"	All Pumps	BCV14TVH	—

CHECK VALVES 6.9 bar maximum EUROPE Includes duckbill, ferrules 6 mm

DESCRIPTION	WORKS WITH	EA	5-PK
Includes Santoprene® Duckbill, Ferrule 6 mm	All Pumps	UCINJCE	MCINJCE
Includes Pellethane® Duckbill, Ferrule 6 mm	All Pumps	UCTINJCE	MCTINJCE
Includes FKM Duckbill, Ferrule 6 mm	All Pumps	UCKMJCE	MCKMJCE



Injection Fitting



Santoprene® Duckbill



Santoprene® O-Ring



FKM® Duckbill



FKM® O-Ring



Pellethane® Duckbill

INJECTION PARTS 100 psi (6.9 bar) maximum

DESCRIPTION	WORKS WITH	EA	2-PK	5-PK
Check Valve Injection Fitting 1/4"	All Pumps	CVIJ1/4	—	—
Check Valve Injection Fitting 3/8"	All Pumps	CVIJ3/8	—	—
Santoprene® Check Valve Duckbill	All Pumps	—	UCCVDB0	MCCVDB0
Santoprene® Check Valve O-Ring	All Pumps	CVIJOR	—	—
Pellethane® Check Valve Duckbill	All Pumps	—	UCTYDB2	MCTYDB5
FKM Check Valve Duckbill & O-Ring	All Pumps	—	UCKMDB0	MCKMDB0
Pellethane® Check Valve O-Ring	All Pumps	TVIJOR	—	—

NOTE: Confirm material compatibility with the chemical resistance guide in this catalog.

MISCELLANEOUS PARTS



MISCELLANEOUS PARTS

DESCRIPTION	WORKS WITH	EA	2-PK	5-PK	10-PK	24-PK
Connecting Nut 1/4"	All Pumps	—	—	—	UCAK100	MCAK100
Connecting Nut 3/8"	All Pumps	MANUT00	—	—	—	—
Connecting Nut 3/8" with Adapter	All Pumps	—	UCADPTR	MCADPTR	—	—
Ferrule 1/4"	All Pumps	—	—	—	UCAK200	MCAK200
Weighted Suction Line Strainer 1/4" or 6 mm	All Pumps	ST114	—	—	—	—
Weighted Suction Line Strainer 3/8"	All Pumps	ST138	—	—	—	—
AquaShield™ 5.5 oz. Tube	All Pumps	MAGRE55	—	—	—	—
Flow Indicator 1/4" with Bracket	All Pumps	AK600	—	—	—	—
Flow Indicator 3/8" with Bracket	All Pumps	AK700	—	—	—	—
Flow Indicator Bracket	Flow Indicator	AK900	—	—	—	—
Filter Assembly	Proportional Injection System	P2000	—	—	—	—

MISCELLANEOUS PARTS *EUROPE*

DESCRIPTION	WORKS WITH	EA	2-PK	5-PK	10-PK	24-PK
Ferrule 6 mm	All Pumps	—	—	—	UCAK2CE	MCAK2CE
Weighted Suction Line Strainer 1/4" or 6 mm	All Pumps	ST114	—	—	—	—
Flow Indicator 6 mm with Bracket	All Pumps	AK800	—	—	—	—



3/8" UV Black



1/4" White

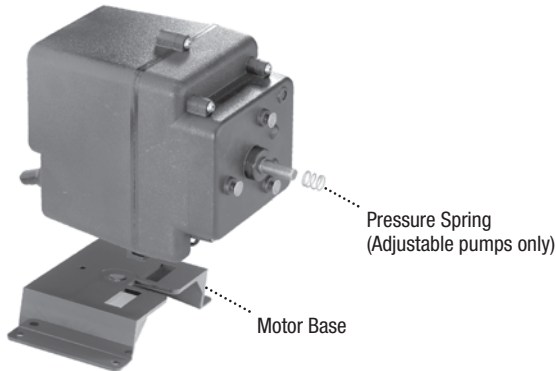
SUCTION/DISCHARGE TUBING

DESCRIPTION	WORKS WITH	20' Roll	100' Roll	1000' Roll
1/4" UV Black	All Pumps	AK4002B	AK4010B	AK4100B
1/4" White	All Pumps	AK4002W	AK4010W	AK4100W
3/8" UV Black	All Pumps	MALT02B	MALT10B	MALTB10
3/8" White	All Pumps	MALT002	MALT010	MALT100

SUCTION/DISCHARGE TUBING *EUROPE*

DESCRIPTION	WORKS WITH	20' Roll	100' Roll	1000' Roll
6 mm White	All Pumps	AK20W6M	—	—

MOTORS

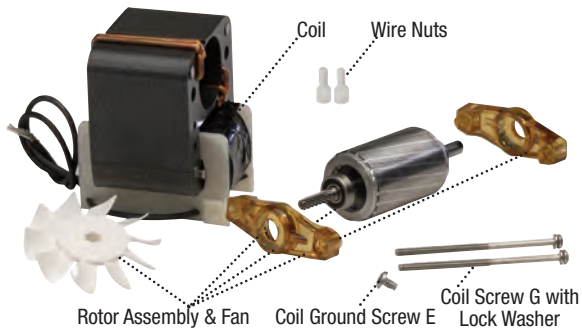


MOTOR 60Hz

DESCRIPTION	WORKS WITH	KIT
120V	Classic Adjustable 45, 100	PM6041D
220V	Classic Adjustable 45, 100	PM6042D
120V	Classic Adjustable 85, 170	PM6081D
220V	Classic Adjustable 85, 170	PM6082D
120V	Classic Fixed 45	ME6041D
220V	Classic Fixed 45	ME6042D
120V	Classic Fixed 85	ME6081D
220V	Classic Fixed 85	ME6082D
120V	Classic Fixed 100	DM6041D
220V	Classic Fixed 100	DM6042D
120V	Classic Fixed 170	DM6081D
220V	Classic Fixed 170	DM6082D

MOTOR 50Hz *EUROPE*

DESCRIPTION	WORKS WITH	EA
230V	Classic Adjustable 45, 100	PM64230
250V	Classic Adjustable 45, 100	PM6426D
230V	Classic Adjustable 85, 170	PM68230
250V	Classic Adjustable 85, 170	PM6826D
230V	Classic Fixed 45	ME64230
250V	Classic Fixed 45	ME6426D
230V	Classic Fixed 85	ME68230
250V	Classic Fixed 85	ME6826D
230V	Classic Fixed 100	DM64230
250V	Classic Fixed 100	DM64250
230V	Classic Fixed 170	DM68230
250V	Classic Fixed 170	DM68250



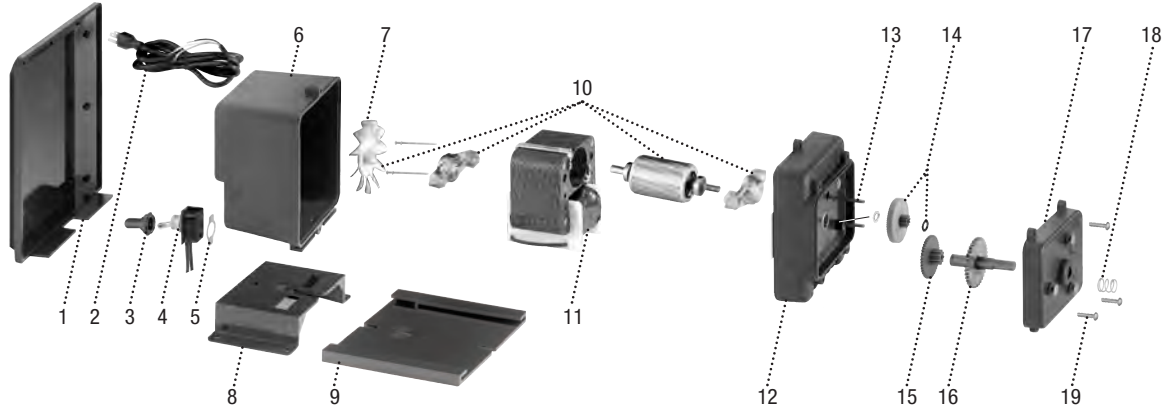
MOTOR SERVICE KITS

DESCRIPTION	WORKS WITH	KIT
120V 60Hz	All Classic Pumps	MSK120
220V 60Hz	All Classic Pumps	MSK220

GEAR CASE SERVICE KITS

WORKS WITH	KIT
Classic Adjustable 45, 100	GSK45A
Classic Adjustable 85, 170	GSK85A
Classic Fixed 45	GSK45F
Classic Fixed 85	GSK85F

MOTORS



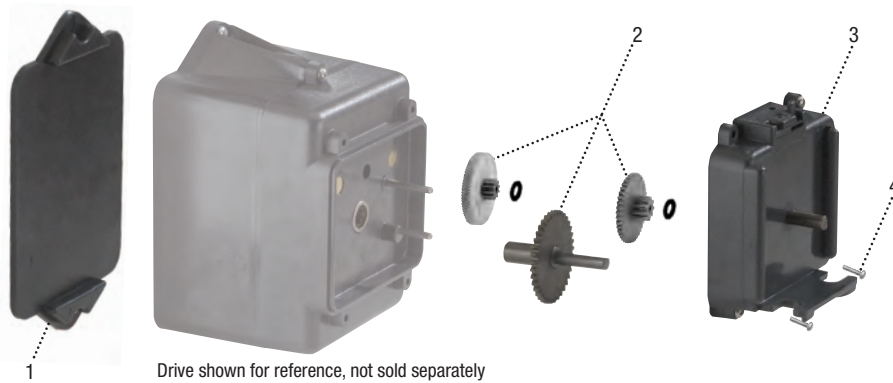
MOTOR PARTS

	DESCRIPTION	WORKS WITH	EA	10-PK	24-PK
1	Rain Roof	All Classic Pumps	MP90000	—	—
<i>Not shown</i>	Pump Cover	Classic Adjustable 45, 85	MP90001	—	—
<i>Not shown</i>	Pump Cover & Rain Roof	Classic Adjustable 45, 85	MP90002	—	—
2	Power Cord 120V	All Classic Pumps	MP6B010	—	—
	Power Cord 220V	All Classic Pumps	MP6B020	—	—
3	Switch Boot	All Classic Pumps	MP6C000	—	—
4	Toggle Switch	All Classic Pumps	PM6E000	—	—
5	On-Off Switch Plate	All Classic Pumps	MP6D000	—	—
6	Motor Cover with 120V Cord	All Classic Pumps	PM6A0BL	—	—
	Motor Cover with 220V Cord	All Classic Pumps	PM6A00L	—	—
7	Motor Fan	All Classic Pumps	PM6F000	—	—
8	Motor Base	All Classic Pumps	MP70000	—	—
9	Mounting Bracket	All Classic Pumps	MP80000	—	—
10	Rotor Assembly with Bearings, Brackets, Tolerance Rings & Fan	All Classic Pumps	PMBRPL2	—	—
11	Coil 60Hz 120V	All Classic Pumps	MP6J115	—	—
	Coil 60Hz 220V	All Classic Pumps	MP6J226	—	—
12	Gear Case with Posts	All Classic Pumps	PM6K0BL	—	—
13	Gear Posts	All Classic Pumps	PM6M000	—	—
14	Phenolic Gear with Spacer 26 rpm	Classic 45, 100	MP6N040	—	—
	Phenolic Gear with Spacer 44 rpm	Classic 85, 170	MP6N080	—	—
15	Metal Reduction Gear 26 rpm	Classic 45, 100	MP6O040	—	—
	Metal Reduction Gear 44 rpm	Classic 85, 170	MP6O080	—	—
16	Motor Shaft with Gear	Classic Adjustable 45, 85, 100, 170	MP6Q00D	—	—
	Motor Shaft with Gear	Classic Fixed 45, 85	ME6Q0LD	—	—
	Motor Shaft with Gear	Classic Fixed 100, 170	DM6Q0LD	—	—
17	Gear Case Cover	All Classic Pumps	PM6R0BL	—	—
18	Pressure Spring	Classic Adjustable 45, 85, 100, 170	MP6T000	—	—
19	Cover Screw B	All Pumps	—	UCCPS0B	MCCPS0B

MOTOR PARTS EUROPE

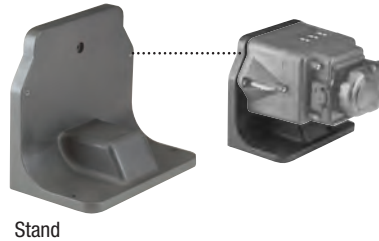
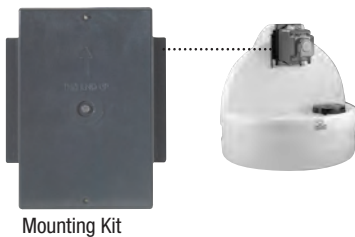
	DESCRIPTION	WORKS WITH	EAEA	10-PK	24-PK
11	Coil 50Hz 230V	All Classic Pumps	MP6J223	—	—
	Coil 50Hz 250V	All Classic Pumps	MP6J222	—	—

MOTORS



MOTOR PARTS

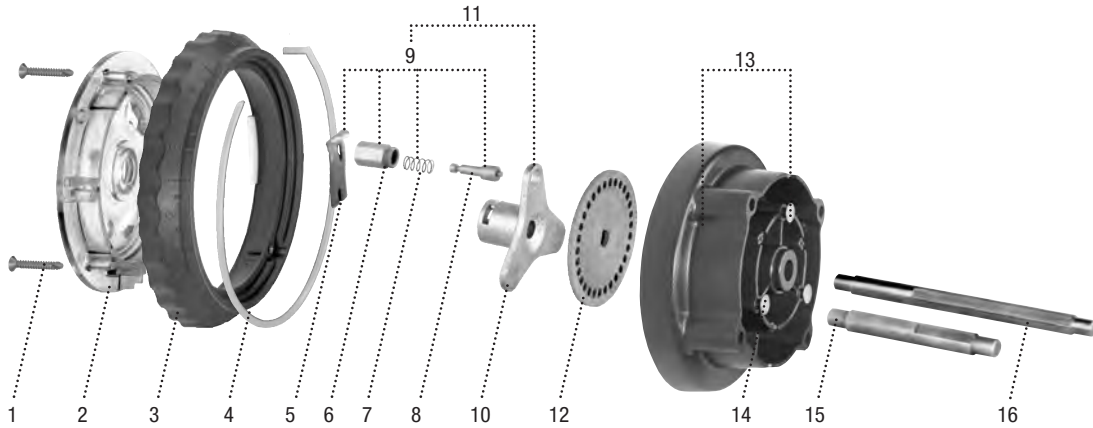
	DESCRIPTION	WORKS WITH	EA	10-PK	24-PK
1	Drive Assembly Pad	All Econ Pumps excluding Econ TD Battery	EC302	—	—
2	Gear Kit includes spacers, screws and AquaShield™	All Econ Pumps with E10 prefix	EC310	—	—
	Gear Kit includes spacers, screws and AquaShield™	All Econ Pumps with E20 prefix	EC320	—	—
3	Gear Case Front Cover	All Econ Pumps	EC330	—	—
4	Cover Screw B	All Econ Pumps	—	UCCPS0B	MCCPS0B



OPTIONAL MOUNTING ACCESSORIES

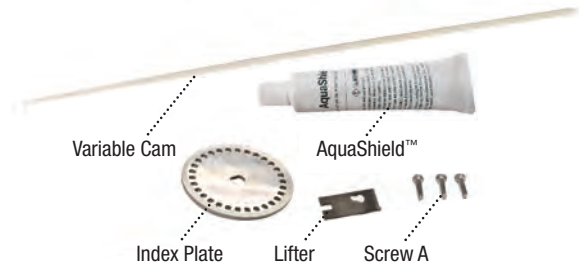
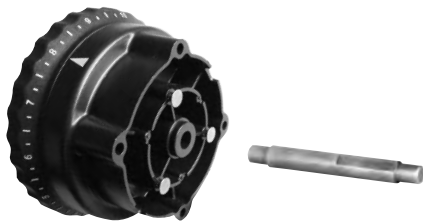
DESCRIPTION	WORKS WITH	EA	KIT
Mounting Kit (for wall mount or Stenner tank)	All Econ Pumps excluding Econ TD Battery	—	EC303
Stand (for horizontal display or wall mount)	All Econ Pumps excluding Econ TD Battery	EC304	—

FEED RATE CONTROL



FEED RATE CONTROL PARTS

	DESCRIPTION	WORKS WITH	EA	2-PK	5-PK
1	FRC Screw A	Classic Adj. 45, 85, 100, 170	FCS000A	—	—
2	Feed Rate Mounting Plate	Classic Adj. 45, 85, 100, 170	FC5N000	—	—
3	Dial Ring	Classic Adj. 45, 85, 100, 170	FC5M040	—	—
4	Variable Cam	Classic Adj. 45, 85, 100, 170	—	UCFC5H0	MCFC5H0
5	Index Pin Lifter	Classic Adj. 45, 85, 100, 170	—	UCFC5L1	MCFC5L1
6	Index Pin Holder	Classic Adj. 45, 85, 100, 170	FC5L003	—	—
7	Index Pin Spring	Classic Adj. 45, 85, 100, 170	FC5L005	—	—
8	Index Pin	Classic Adj. 45, 85, 100, 170	FC5L002	—	—
9	Index Pin Assembly with Lifter includes 5, 6, 7 & 8	Classic Adj. 45, 85, 100, 170	UCFC5AY	MCFC5AY	—
10	Index Spider	Classic Adj. 45, 85, 100, 170	FC5K00D	—	—
11	Index Spider Assembly includes 9 & 10	Classic Adj. 45, 85, 100, 170	FC5LASY	—	—
12	Index Plate	Classic Adj. 45, 85, 100, 170	UCFC5ID	MCFC5ID	—
13	Feed Rate Housing with Roller Clutch, Seal & Rivets	Classic Adj. 45, 85, 100, 170	FC5D00S	—	—
14	Mounting Rivet C	Classic Adj. 45, 85, 100, 170	FCS000C	—	—
15	Main Shaft	Classic Adj. 45, 85	UCFC5AD	MCFC5AD	—
16	Main Shaft	Classic Adj. 100, 170	DM5A00D	—	—



FEED RATE CONTROL WITH SHAFT

WORKS WITH	EA
Classic Adj. 100, 170 45, 85	FC5040D
Classic Adj. 100, 170 100, 170	DM5040D

FEED RATE CONTROL SERVICE KITS

WORKS WITH	KIT
Classic Adj. 100, 170 45, 85, 100, 170	FSK100

WATER METER PARTS

WATER METER PARTS			
DESCRIPTION	WORKS WITH Plastic Water Meter	EA	2-PK
3/4" Plastic Couplings with Gaskets	3/4"	—	JLP38009P
1" Plastic Couplings with Gaskets	1"	—	JLP38012P
1/8" Rubber Gaskets for 3/4"	3/4"	—	JLP38007R
1/8" Rubber Gaskets for 1"	1"	—	JLP38012R
Reed Switch, Single with screw	1 ppg, 4 ppg, 10 ppg	JLP32RS	—
Reed Switch, Dual with screw	2 ppg	JLP34RS	—
	WORKS WITH Plastic and Stainless Steel Water Meter		
Reed Switch, Single with screw	1 ppg, 4 ppg, 10 ppg	JLP32RS	—
Reed Switch, Dual with screw	2 ppg	JLP34RS	—

INDEX

	PAGE		PAGE		PAGE		PAGE		PAGE		
AK20W6M	57	EC501	38	MCCPS0B	59,60	MP6T000	59	QP25T-1	50	STS15GC	42
AK4002B	57	EC51C	38	MCCVDB0	56	MP70000	59	QP25TK	54	STS15NC	42
AK4002W	57	FC5040D	61	MCDBINJ	56	MP80000	59	QP400-1	53	STS30GC	42
AK4010B	57	FC5D00S	61	MCFC5AD	61	MP90000	59	QP400-2	53	STS30NC	42
AK4010W	57	FC5K00D	61	MCFC5AY	61	MP90001	59	QP401-2	53	STS7G-02	42
AK4100B	57	FC5LASY	61	MCFC5HO	61	MP90002	59	QP500-1	53	STS7N-02	42
AK4100W	57	FC5L002	61	MCFC5ID	61	MSK120	58	QP500-4	53	STS15G-02	42
AK600	57	FC5L003	61	MCFC5L1	61	MSK220	58	QP501-3	53	STS15N-02	42
AK700	57	FC5L005	53	MCINJ38	56	P2000	57	QP50A-1	53	STS30G-02	42
AK800	57	FC5M040	61	MCINJCE	56	PCM	44	QP69-1	51	STS30N-02	42
AK900	57	FC5N000	61	MCKMDB0	56	PM6041D	58	QP69K	55	TVIJOR	56
BCV14TVH	56	FCS000A	61	MCKMINJ	56	PM6042D	58	QP69T-1	51	UCFDCE	48
CVIJ1/4	56	FCS000C	61	MCKMI38	56	PM6081D	58	QP69TK	55	UCADPTR	57
CVIJ3/8	56	FSK100	61	MCKMJCE	56	PM6082D	58	QPA10-1	52	UCAK100	57
CVIJOR	56	GSK45A	58	MCTINJCE	56	PM64230	58	QPA10-2	52	UCAK200	57
DM5040D	61	GSK45F	58	MCTYCE	48	PM6426D	58	QPA17-1	52	UCAK300	56
DM5A00D	61	GSK85F	58	MCTYDB5	56	PM68230	58	QPA17-2	52	UCAK3CE	56
DM6041D	58	GSK85A	58	MCTYGO	48	PM6826D	58	QPA25-1	52	UCCPFD	48
DM6042D	58	JLP0750-PPG	39	MCTYIJ38	56	PM6A0BL	59	QPA25-2	52	UCCP20	48
DM6081D	58	JLP1000-PPG	39	MCTYINJ	56	PM6A00L	59	QPA69-1	52	UCCP2CE	48
DM6082D	58	JLP1500-PPG	39	ME6041D	58	PM6E000	59	QPA69-2	52	UCCPS0B	59,60
DM64230	58	JLP38009P	62	ME6042D	58	PM6F000	59	S310K	54,55	UCCVDB0	56
DM64250	58	JLP38012P	62	ME6081D	58	PM6K0BL	59	S310-1	50	UCDBINJ	56
DM68230	58	JLP38007R	62	ME6082D	58	PM6M000	59	S310-2	50	UCFC5AD	61
DM68250	58	JLP38012R	62	ME64230	58	PM6R0BL	59	S311K	54,55	UCFC5AY	61
DM6Q0LD	59	JLP32RS	62	ME6426D	58	PMBRPL2	59	S315-1	50,51	UCFC5HO	61
EC302	60	JLP34RS	62	ME68230	58	QP10-1	51	S315-2	50,51	UCFC5ID	61
EC303	60	MAGRE55	57	ME6826D	58	QP10K	55	S320K	54,55	UCFC5L1	61
EC304	60	MALT002	57	ME6Q0LD	59	QP100-1	53	S320-1	50,51	UCINJCE	56
EC3-2	49	MALT010	57	MP6B010	59	QP100-4	53	S321K	54,55	UCKMDB0	56
EC3-5	49	MALT02B	57	MP6B020	59	QP10A-1	53	S325-1	50,51	UCKMINJ	56
EC3CE-2	49	MALT100	57	MP6C000	59	QP10A-2	53	S3400-1	53	UCKMJCE	56
EC3CE-5	49	MALT10B	57	MP6D000	59	QP10T-1	51	S3400-2	53	UCKMI38	56
EC310	60	MALTB10	57	MP6J115	59	QP10TK	55	S3500-1	53	UCINJ38	56
EC320	60	MANUT00	57	MP6J222	59	QP17-1	50	S3500-4	53	UCTINJCE	56
EC330	60	MCADPTR	57	MP6J223	59	QP17-2	50	S3600-1	53	UCTYCE	48
EC350	53	MCAK100	57	MP6J226	59	QP17K	54	S3600-4	53	UCTYDCE	48
EC351	53	MCAK200	57	MP6N040	59	QP17T-1	50	SSMRS20-PPG	40	UCTYFD	48
EC352	53	MCAK2CE	57	MP6N080	59	QP17TK	54	ST114	57	UCTYDB2	56
EC355	53	MCAK300	56	MP60040	59	QP25-1	50	ST138	57	UCTYGO	48
EC500	38	MCCP2CE	48	MP60080	59	QP25-2	50	STS7GC	42	UCTYIJ38	56
EC50C	38	MCCP20	48	MP6Q00D	59	QP25K	54	STS7NC	42	UCTYINJ	56

CHEMICAL RESISTANCE GUIDE

Ratings Key – Chemical Effect

- A** Fluid has minor or no effects
- B** Fluid has minor to moderate effects
- C** Fluid has severe effects
- No data available



CAUTION

The information is provided ONLY as a guide to assist in determining chemical compatibility for wetted components. Testing under the specific conditions of the application is recommended. Stenner Pump Company assumes no responsibility for its accuracy. Outside factors including but not limited to temperature, pressure, mechanical stress, and solution concentration can affect material compatibility in a particular application. Stenner makes no warranty, expressed or implied, as to the accuracy of this guide or any materials' suitability for fitness or purpose for any application. User assumes all risk and liability for use of this guide.

Chemical / Solution	PP/ Santoprene®/ EPDM	Versilon®	PVC	LDPE	FKM	Silicone
Acetic Acid 20%	A	B	B	A	B	A
Acetic Acid 30%	B	C	C	A	B	A
Acetic Acid, Glacial	C	C	C	C	C	•
Acetic Anhydride	B	C	C	C	C	C
Aliphatic Hydrocarbons	B	B	B	B	•	•
Aluminum Chloride	A	A	A	B	A	B
Aluminum Sulfate	A	A	A	A	A	A
Alums	A	A	A	A	A	A
Ammonium Acetate	B	B	A	A	A	•
Ammonium Carbonate	A	A	A	A	A	C
Ammonium Chloride	A	B	A	B	A	C
Ammonium Hydroxide	A	B	A	A	B	A
Ammonium Nitrate	A	A	A	A	B	C
Ammonium Phosphate	A	A	A	A	A	A
Ammonium Sulfate	A	A	A	A	B	A
Amyl Acetate	A	C	C	C	C	C
Aniline	B	C	C	C	C	C
Antimony Salts	A	A	A	B	•	•
Arsenic Salts	A	A	A	B	•	•
Barium Hydroxide	A	A	A	B	A	•
Barium Salts	A	•	A	B	•	A
Beer	A	A	A	A	A	•
Benzene	C	C	C	C	B	•
Benzoic Acid	A	C	A	A	A	•
Bleach 5.25%	A	A	A	A	A	•
Boric Acid	A	A	A	A	A	A
Bromine	A	B	B	B	A	C
Butyl Acetate	A	C	C	C	C	C
Butyric Acid	A	C	B	C	B	C
Calcium Chloride	A	A	B	A	A	•
Calcium Hydroxide	A	C	A	A	A	•
Calcium Hypochlorite 5%	A	B	A	A	A	•
Calcium Salts	A	A	A	A	•	B
Carbon Disulfide	C	C	C	C	A	•
Carbon Tetrachloride	C	C	C	C	A	C
Castor Oil	B	A	A	•	A	•

Chemical / Solution	PP/ Santoprene®/ EPDM	Versilon®	PVC	LDPE	FKM	Silicone
Chlorine <i>see Sodium Hypochlorite</i>	•	•	•	•	•	•
Chloroacetic Acid	A	C	B	C	C	•
Chloroform	C	C	C	C	A	C
Chlorosulfonic Acid	B	C	C	C	C	C
Chromic Acid < 50%	B	C	B	A	A	C
Chromium Salts	A	•	A	B	•	•
Citric Acid	B	B	B	C	A	•
Copper Chloride	A	A	A	A	A	•
Copper Sulfate	A	A	A	A	A	•
Cottonseed Oil	B	A	B	A	A	•
d-Limonene	C	B	B	B	A	C
Ethyl Acetate	A	C	C	C	C	B
Ethyl Alcohol	B	C	C	B	B	•
Ethyl Chloride	C	C	C	C	A	C
Ethylene Dichloride	C	C	C	C	A	C
Ethylene Glycol	A	A	A	A	A	A
Ethylene Oxide	B	A	C	C	C	C
Eucalyptus Oil	C	B	C	C	•	•
Fatty Acids	C	B	A	A	A	C
Ferric Chloride	A	A	A	A	A	B
Ferric Sulfate	A	A	A	A	A	B
Ferrous Chloride	A	A	A	A	A	C
Ferrous Sulfate	A	A	A	A	A	C
Fluoboric Acid	A	C	A	C	B	A
Fluosilicic Acid	A	A	A	A	A	C
Formaldehyde < 40%	A	B	A	C	C	B
Formic Acid	A	C	B	C	C	C
Glucose	A	A	A	A	A	A
Glycerin	A	A	A	A	A	A
Hydrochloric Acid 20%	A	C	A	A	A	C
Hydrochloric Acid 37%	A	C	A	A	A	C
Hydrocyanic Acid	A	B	A	A	A	C
Hydrofluoric Acid < 48%	A	C	B	A	A	C
Hydrofluoric Acid 48-75%	A	C	C	C	A	C
Hydrofluoric Acid, anhydrous	B	C	C	C	C	•

Chemical / Solution	PP/ Santoprene®/ EPDM	Versilon®	PVC	LDPE	FKM	Silicone
Hydrogen Peroxide < 50%	A	B	A	B	A	A
Hydrogen Sulfide	A	A	B	A	C	•
Iodine	A	A	C	B	A	C
Lactic Acid	A	B	B	A	A	A
Lead Acetate	B	A	A	A	C	C
Linseed Oil	B	A	A	A	A	A
Limonene	C	B	B	B	A	C
Lubricating Oils	C	A	B	C	A	•
Magnesium Chloride	A	A	B	A	A	A
Magnesium Hydroxide	A	A	A	A	A	•
Magnesium Sulfate	A	A	A	A	A	A
Malic Acid	A	B	A	A	A	B
Manganese Salts	A	A	A	A	•	B
Mercuric Chloride	A	A	A	A	A	•
Methylene Chloride	C	C	C	C	B	•
Mineral Oil	B	A	B	B	A	•
Mineral Spirits	C	A	B	B	A	•
Muriatic Acid, 20° Baume	A	C	A	A	A	•
Nitric Acid < 10%	A	C	A	B	A	B
Nitric Acid 10-30%	B	C	A	C	A	C
Nitric Acid 30-60%	C	C	B	C	A	C
Nitric Acid 70%	C	C	B	C	A	C
Nitric Acid, red fuming	C	C	C	C	C	C
Nitrous Acid	A	B	•	•	B	•
Oleic Acid	A	B	C	C	B	C
Oleum 20-25%	C	C	C	C	•	•
Oxalic Acid	A	C	B	A	A	C
Palmitic Acid	A	B	B	A	A	C
Petroleum Distillates	C	B	B	C	•	•
Peracetic Acid 5%	B	B	B	A	A	A
Peracetic Acid 15%	B	B	B	A	A	B
Phenol	B	C	C	B	A	C
Phosphoric Acid	A	C	A	A	A	C
Phthalic Acid	A	C	A	A	A	B
Pickling Solutions	A	C	•	•	B	•
Plating Solutions	A	C	•	•	A	C
Polyphosphate	A	A	A	A	•	•
Potassium Carbonate	A	A	A	A	A	•
Potassium Chlorate	A	A	A	A	A	B
Potassium Hydroxide	A	A	A	A	C	C
Potassium Dichromate	A	A	A	A	A	•
Potassium Iodide	A	A	B	B	A	•

Chemical / Solution	PP/ Santoprene®/ EPDM	Versilon®	PVC	LDPE	FKM	Silicone
Potassium Permanganate	A	A	A	A	A	•
Sea Water	A	A	A	A	A	•
Silicone Oil	C	A	A	B	A	C
Silver Nitrate	A	A	A	A	A	A
Soap Solutions	A	A	A	C	A	A
Sodium	A	A	A	A	•	•
Sodium Bisulfate	A	A	A	A	A	•
Sodium Bisulfite	A	A	A	A	A	A
Sodium Borate	A	A	A	A	A	A
Sodium Carbonate	A	A	A	A	A	A
Sodium Chlorate	A	A	A	A	A	C
Sodium Chloride	A	A	A	A	A	A
Sodium Dichromate 20%	A	•	B	•	A	•
Sodium Hydroxide < 20%	A	B	A	B	C	A
Sodium Hydroxide 20-46.5%	A	C	A	B	C	•
Sodium Hypochlorite 5%	A*	B	A	A	A	B
Sodium Hypochlorite 6-15%	A*	B	A	A	•	B
Sodium Nitrate	A	A	A	A	A	C
Sodium Silicate	A	A	A	A	A	A
Sodium Sulfide	A	A	A	A	A	A
Sodium Sulfite	A	A	A	A	A	A
Solvents	C	B	B	B	•	•
Soybean Oil	B	A	A	A	A	•
Stannous Chloride 15%	A	A	A	B	A	•
Stearic Acid	A	B	B	B	A	B
Sulfur Dioxide liquid	A	C	C	C	B	•
Sulfur Trioxide	B	C	A	C	A	•
Sulfuric Acid < 40%	B	B	B	B	A	C
Sulfuric Acid > 40%	C	C	C	C	A	C
Sulfurous Acid	A	A	A	B	C	C
Tannic Acid 10%	A	B	A	B	A	B
Tanning Liquors	A	A	A	A	A	•
Tartaric Acid	A	A	A	A	A	A
Titanium Salts	A	A	A	B	•	•
Triethanolamine	A	C	C	C	C	•
Trisodium Phosphate	A	A	A	A	A	•
Tung Oil	B	B	C	C	A	•
Turpentine	B	B	C	C	A	C
Urea	B	A	B	A	A	B
Water & Brine	A	A	A	A	A	B
Zinc Chloride	A	A	B	A	A	A
Zinc Salts	A	A	A	A	•	•

* Products tested and certified by WQA according to ANSI/NSF 61 for contact with Sodium Hypochlorite and Water only and ANSI/NSF 372.
NOTE: FKM tested to ANSI/NSF 61 with water only.

POLICIES

Limited Warranty

Stenner Pump Company will for a period of one (1) year from the date of purchase (proof of purchase required) repair or replace – at our option – all defective parts. Stenner is not responsible for any removal or installation costs. Pump tube assemblies and rubber components are considered perishable and are not covered in this warranty. Pump tube will be replaced each time a pump is in for service, unless otherwise specified. The cost of the pump tube replacement will be the responsibility of the customer. Stenner will incur shipping costs for warranty products shipped from our factory in Jacksonville, Florida. Any tampering with major components, chemical damage, faulty wiring, weather conditions, water damage, power surges, or products not used with reasonable care and maintained in accordance with the instructions will void the warranty. Stenner limits its liability solely to the cost of the original product. We make no other warranty expressed or implied.

Returns

Stenner offers a 30-day return policy on factory direct purchases. Except as otherwise provided, no merchandise will be accepted for return after 30 days from purchase. To return merchandise at any time, call Stenner at 800.683.2378 for a Return Merchandise Authorization (RMA) number. A 15% restocking fee will be applied. Include a copy of your invoice or packing slip with your return.

Problem with Shipment

Check orders immediately upon arrival. Any claim of damage, shortage or order discrepancy must be noted on the delivery receipt and reported to Stenner at 800.683.2378 within seven (7) days of receipt.

Pump Service & Repairs

Before returning a pump for warranty or repair, remove chemical from pump tube by running water through the tube, and then run the pump dry. Following expiration of the warranty period, Stenner Pump Company will clean and overhaul any Stenner metering pump for a minimum labor charge plus necessary replacement parts and shipping. All metering pumps received for overhaul will be restored to their original condition. The customer will be charged for missing parts unless specific instructions are given. To return merchandise for repair, call Stenner at 800.683.2378 or 904.641.1666 for a Return Merchandise Authorization (RMA) number.

Disclaimer

This information is not intended for specific application purposes. Stenner Pump Company reserves the right to make changes to prices, products, and specifications at any time without prior notice.

Trademarks

QuickPro® is a registered trademark of the Stenner Pump Company.
Santoprene® is a registered trademark of Exxon Mobil Corporation.
Versilon® is a registered trademark of Saint-Gobain Performance Plastics.
Pellethane® is a registered trademark of Lubrizol Advanced Materials, Inc.
Hastelloy® is a registered trademark of Haynes International, Inc.
AquaShield™ is a trademark of Houghton International.

STENNER PUMPS®

STENNER PUMP COMPANY

3174 DeSalvo Road
Jacksonville, Florida 32246 USA

Phone: 904.641.1666

US Toll Free: 800.683.2378

Fax: 904.642.1012

sales@stenner.com

www.stenner.com

Hours of Operation (EST):

Mon.–Thu. 7:30 am–5:30 pm

Fri. 7:00 am–5:30 pm

 Assembled in the USA

© Stenner Pump Company
All Rights Reserved