



DOSATRON®

WATER POWERED DOSING TECHNOLOGY

11 GPM: DM11F

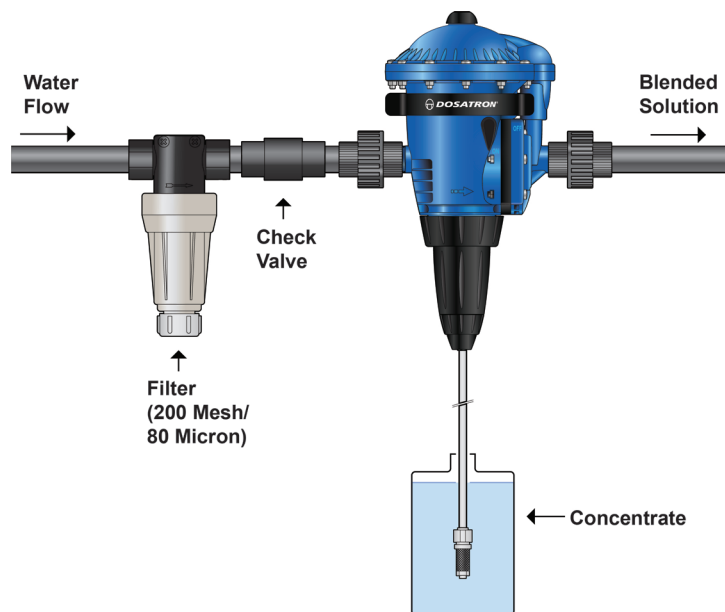
Product Specifications

Call 800-523-8499 to order the Dosatron for your specific application

Dilution Range:	1:128 fixed (.8%)
Water Flow Range:	.02 to 11 GPM
Operating Pressure Range:	1.5 to 85 PSI
Available Housing Materials:	Polypropylene (Standard Blue)
Dimensions:	16" x 7"
Weight:	5 lbs
Connection Size:	3/4" NPT
Maximum Temperature:	104° F
Included Accessories:	6 ft clear suction tube, strainer, weight, mounting bracket and operating manual
Recommended Accessories:	200 mesh filter



Basic Installation



Dosatron International
2090 Sunnydale Blvd. • Clearwater, FL, USA
800-523-8499 • www.dosatronusa.com

Dosatron International, Inc. is an industry leader in water-powered, proportional chemical injectors. Dosatron products are manufactured according to ISO 9001:2000 and ISO 14001:2004 standards.