

A proven system to
MAXIMIZE:

- Pig & Hog Growth
- Boar Sperm Production
- Sow's Reproductive and Lactating Performances



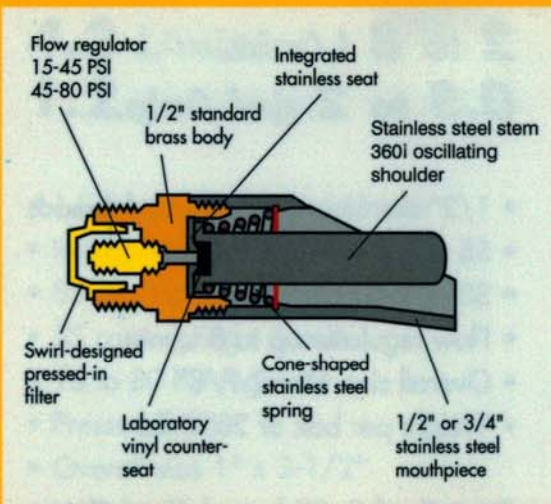
You will achieve better results with the Bekalö system because it has been developed to provide a maximum daily intake which **replaces 100% of daily body water losses.**

Designed

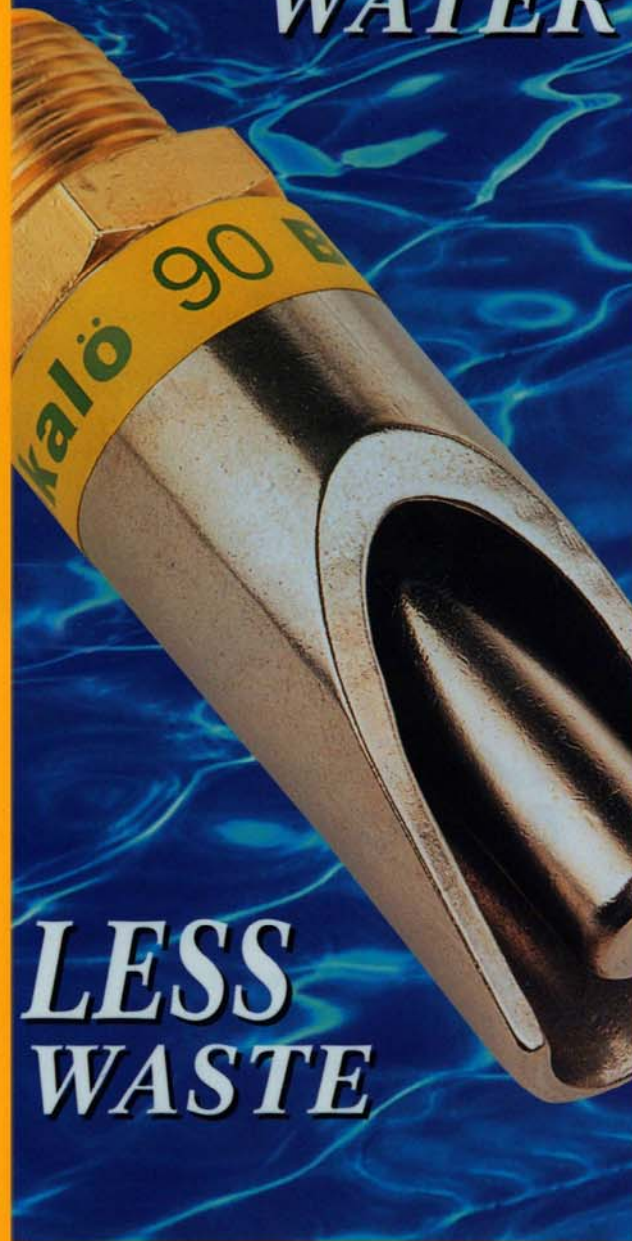
to convert waterline pressure into a generous & natural water flow



...like drinking from a glass!



Bekalö
SYSTEM



MORE WATER

LESS WASTE

Bekalö
SYSTEM

Bekalö
SYSTEM

After trying the Bekalö system, producers are adopting it because it helps them achieve better results.

We invite you to put Bekalö to the test. You will soon see the benefits.



Convenient shelf display box of 20.

SEE YOUR LOCAL DEALER

Bekalö - a division of Soubry Ltd.
95 Laroche / Industrial Park
Repentigny (QC) Canada J6A 7M3
Tel.: (450) 581-3919 Fax : (450) 581-3916
e-mail: soubry@citenet.net

PIGLETS

GROWERS/FINISHERS

LACTATING SOWS

SOWS & HOGS

Bekalö
50

Bekalö
70

Bekalö
90

Bekalö
Maxö



1.2 L/min.
0.3 gal./min.

- 1/2" brass body - std threads
- Replaceable SS valve seat
- SS mouthpiece w/15° spout
- SS valve stem 360° rotation
- SS cone spring - 5 coils
- 15 to 80 PSI regulator
- Pressed-in filter
- Overall size 13/16" x 2-3/8"
- Weight per box of 20: 3 lbs

2.4 L/min.
0.7 gal./min.

- 1/2" brass body - std threads
- Replaceable SS valve seat
- SS mouthpiece w/15° spout
- SS valve stem 360° rotation
- SS cone spring - 6 coils
- 15 to 80 PSI regulator
- Pressed-in filter
- Overall size 13/16" x 2-7/8"
- Weight per box of 20: 5 lbs

4.2 L/min.
1.2 gal./min.

- 1/2" brass body - std threads
- Replaceable SS valve seat
- SS mouthpiece w/15° spout
- SS cone spring - 6 coils
- 15 to 80 PSI regulator
- Pressed-in filter
- Overall size 1" x 3-1/2"
- Weight per box of 20: 9 lbs

2 to 8 L/min.
0.5 to 2 gal./min.

- 1/2" stainless steel body - std threads
- SS valve stem 360° rotation
- SS cone spring - 6 coils
- Flow regulator up to 8 L/min.
- Overall size 1" x 2-7/8"
- Weight per box of 20: 4 lbs

Fast & very easy to adjust flow according to your specific needs.