

First choice in agricultural ventilation components

WARRANTY

TPI Polytechnics Inc. offers a 2 year warranty on manufacturers defects. This warranty covers any defects caused by faulty production or design flaws. For parts that are designed to move, wear and tear there is no warranty as these parts are intended and designed to be replaceable. To find details on which parts are marked as replaceable please contact TPI Polytechnics Inc. for further information.

Since TPI Polytechnics Inc. products are meant to be installed by professionals there is no warranty over installation mishaps or any damage caused by incorrect installation of the products herein.

TPI Polytechnics does offer a service warranty of 2 years over correctly and professionally installed products, therefore we strongly advise to use professional personnel.

When in doubt, feel free to contact TPI Polytechnics Inc. to ask for qualified personnel in your area.

Our polyurethane formula guarantees high insulation values but does not in any case guarantee that products cannot freeze when in low temperatures. To ensure optimal functioning of your product(s) please contact your dealer or TPI Polytechnics Inc. for information on installation, set-up, adjustments and functionality.

Please note that under no circumstance TPI Polytechnics Inc. can be held responsible for loss of life or any type of injury both to humans and animals due to malfunction of our product(s)!

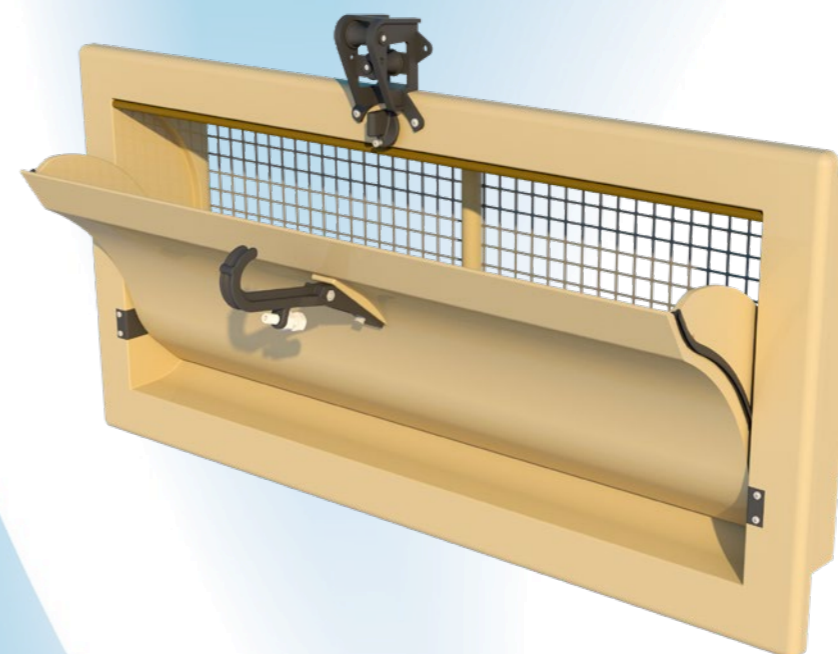
TPI Polytechnics Inc.

420 N Iris St
Mt. Pleasant, IA 52641
United States

T +31 (0)73 - 656 91 94
info@tpi-polytechnics.com



3000-VFG-C



The 3000-VFG-C air inlet valve is made entirely out of high-quality polyurethane. It has three metal reinforcements inside the housing and two inside the inner flap for extra sturdiness. Seals are placed alongside the inner edges of the house to prevent air leakage when the inlet is closed. The combination of materials and seals make sure that this inlet is very suitable for use in extremely low temperatures. The inlet is controlled by means of a central plastic arm. The 3000-VFG-C has a curved inner flap which is hinged in the middle of the house. Therefore at a certain point when the inner flap opens further the air also flows underneath the flap.

CAPACITY

Capacity in CFM at a static pressure of inch H2O:

Model	0.05	0.10	0.15
3000-VFG-C	1905	2693	3299

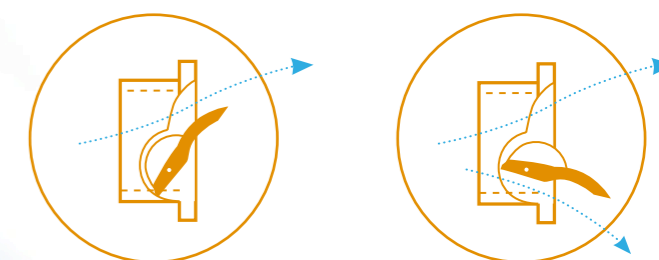
WHAT'S IN THE BOX

3000-VFG-C air inlet valve	-	21Pcs.
Central plastic control arm	TPI-280	21Pcs.
Nylon cord and cable clamp	TPI-204c	21Pcs.
Pulley unit	TPI-421	21Pcs.
Closing catch with spring	TPI-307	21Pcs.

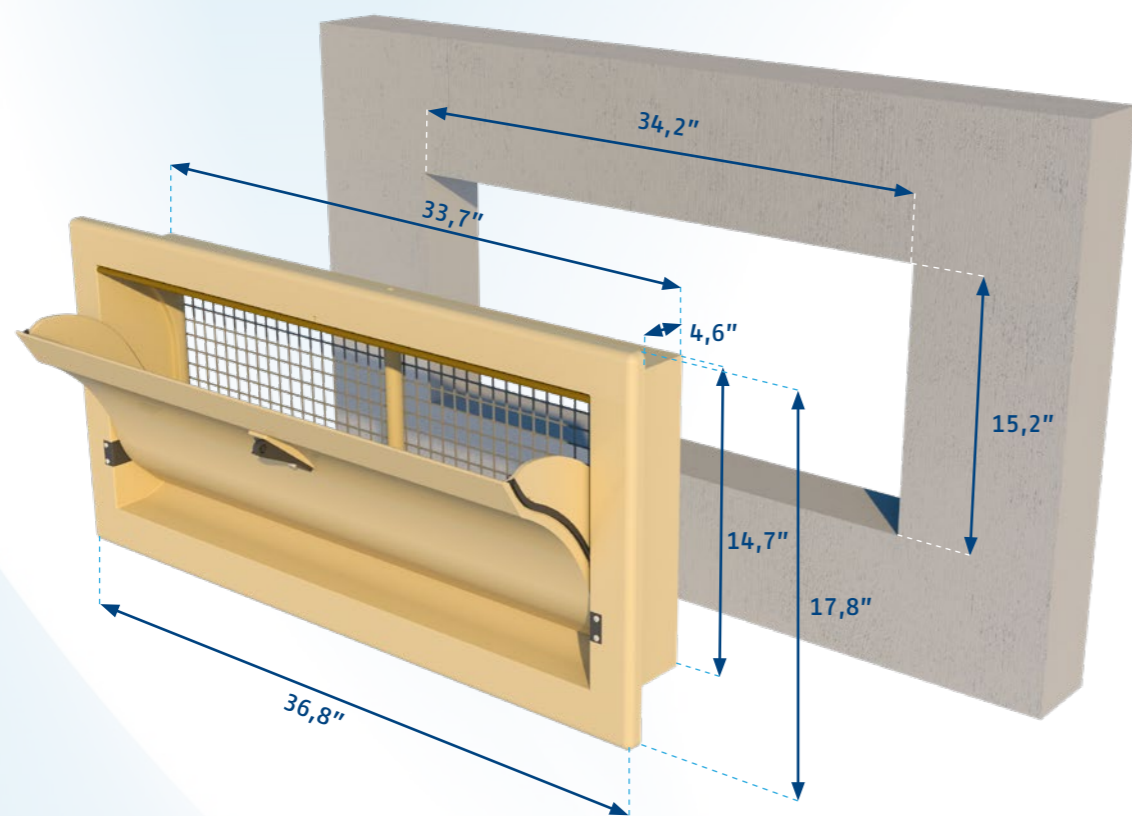
INFORMATION

Run	17.7 Inch
Force	19.6 Newtons
Number / pallet (4.27 x 3.28 x 7.87 ft)	42 (2 boxes)

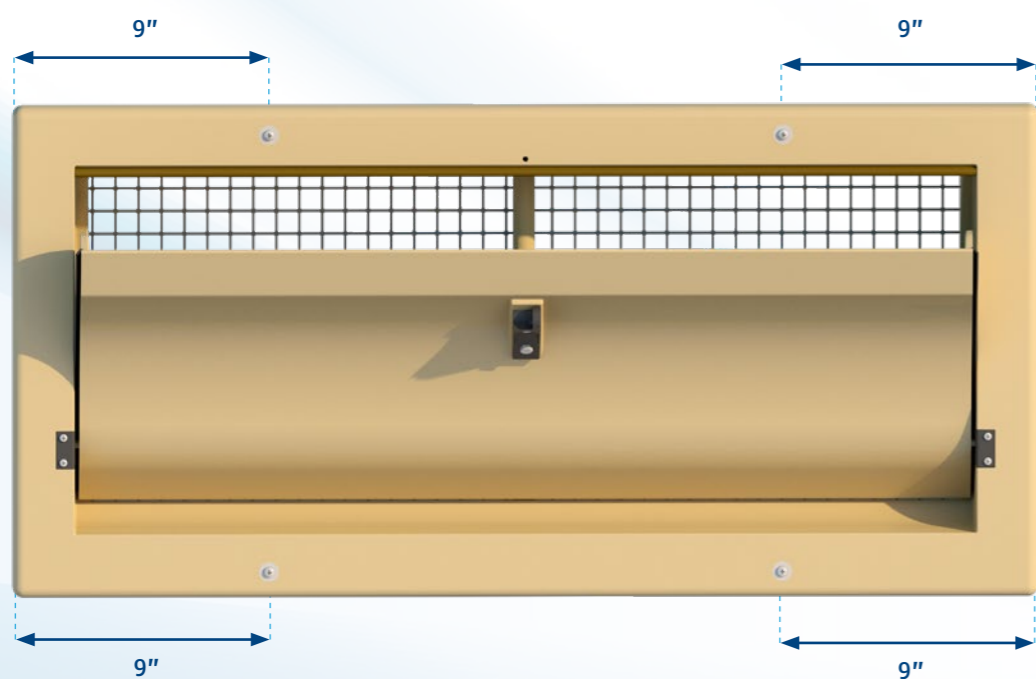
AIR FLOW



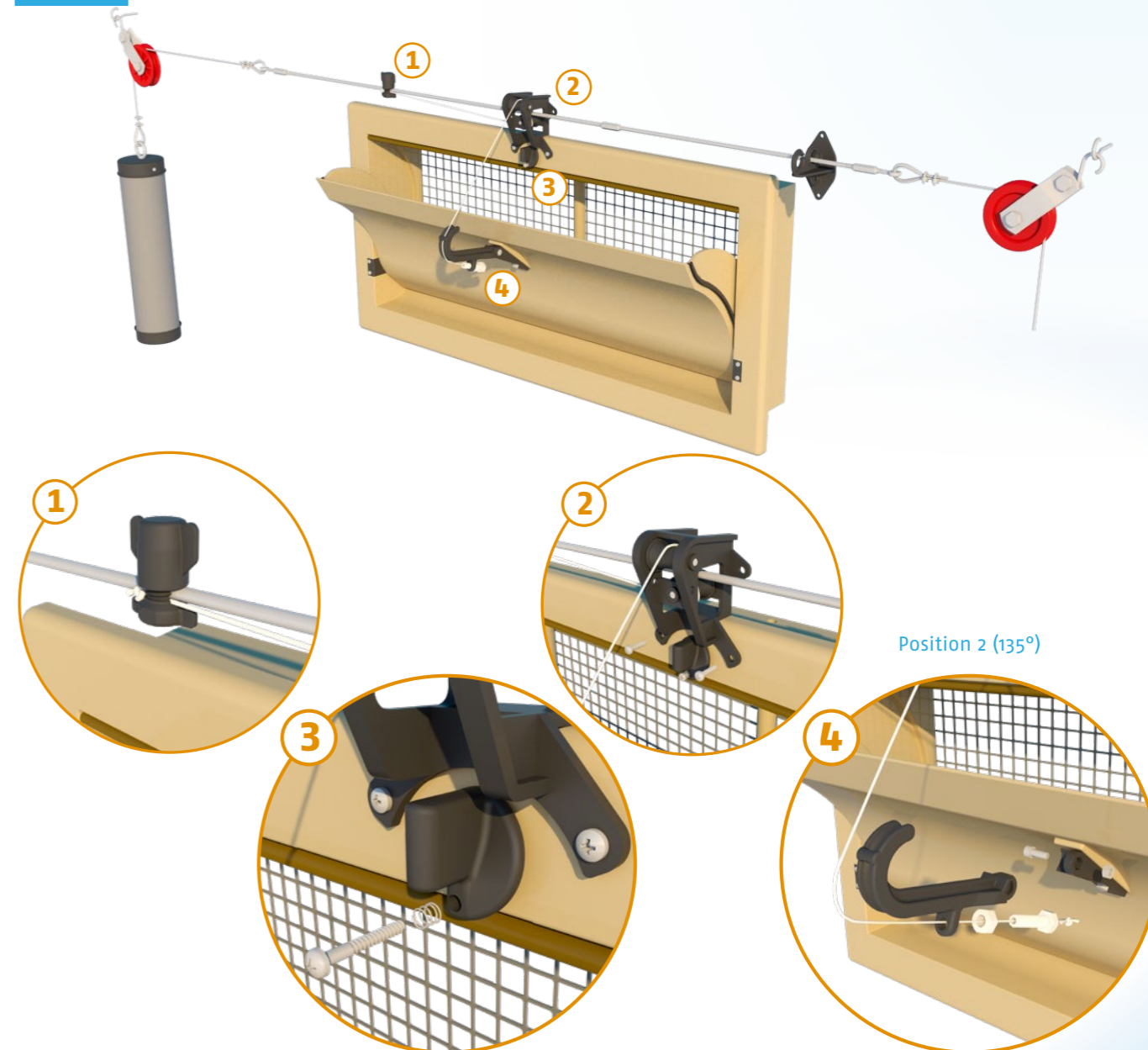
POSITION IN WALL



MOUNTING



ASSEMBLY



DO'S & DON'TS

Make sure to mount inlets on a flat wall surface.

A flat wall surface ensures optimal performance and, therefore, air leakage will be reduced to a minimum. For optimal functioning, ensure to caulk all the sides of the inlet with a silicon sealant.

Do not use foams or fillers to fill space in between the inlet and the wall.

Foams and fillers might cause damage to the inlet or cause it to jam as they have different expansion values due to temperature differences. When in doubt, please ask your supplier for additional information.

For the set-up, connect the inlet to the main cable in closed position.

Ensure the inlet is closed when connecting it to the main cable, as this will ensure that all of the inlets are connected in the same way and fewer adjustments are needed to optimize the set-up.

Use screws with rivets for mounting the inlets into the wall and be careful with the polyurethane skin.

With the use of rivets for mounting the inlets into the wall, you can prevent the screw from sinking into the flange or skin of the inlet. The outer skin of the polyurethane is hard, but the force exerted on the screws during installation might penetrate the skin.

Cleaning

Pay close attention while cleaning the inlets, avoid using corrosive cleaning solutions that might harm the polyurethane. Also make sure not to use too much pressure with the pressure washers as it might damage the skin of the inlets. Use max. 1740 PSI at a minimal distance of 4" and temperatures not exceeding 120 F.